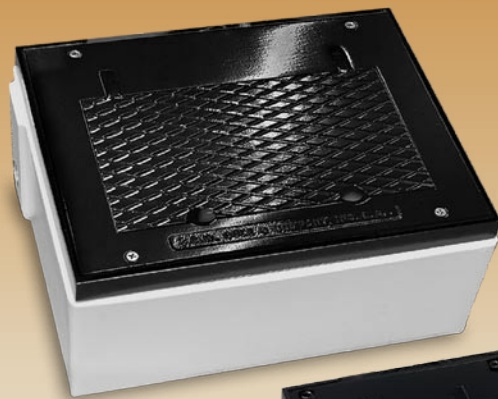
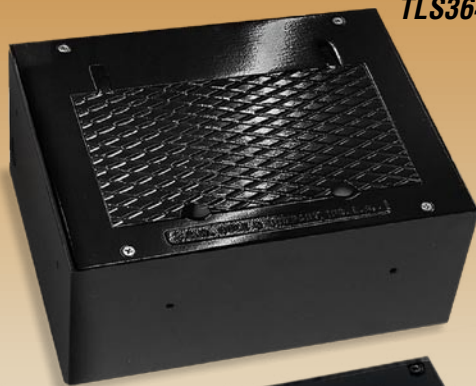


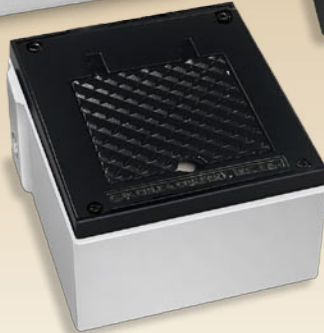
Plugging Box



TLA364



TLS364



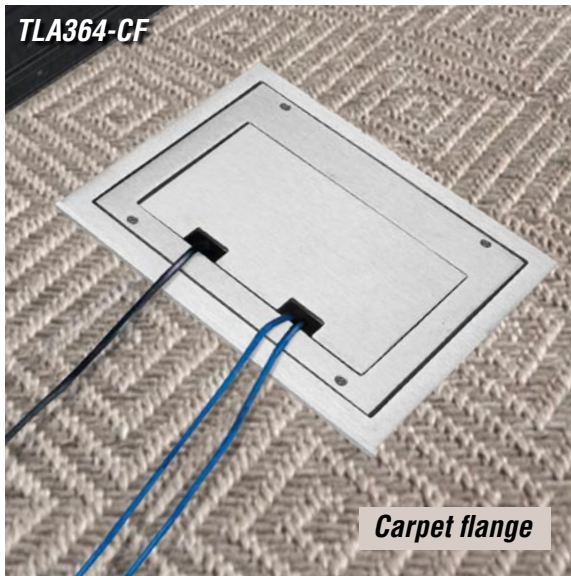
TLA362



TLS362

Cast aluminum cover with non-skid grid, self-closing with cord slots

Brush satin finish trim with cord slots



TLA364-CF

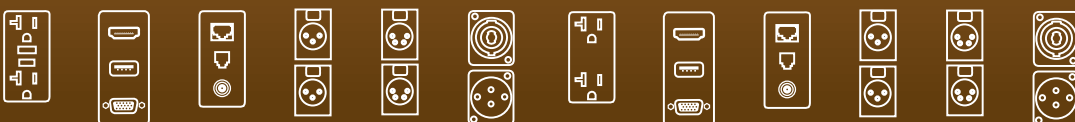
Carpet flange



TLS362-FT

Finish trim

TLA362-2/RJ45-HDMI-USB | TLA364-FT-DUP-MIC-SPKR | TLS362-FT-2/RJ45-HDMI-USB | TLS364-GFCI-MIC-SPKR



TLA362/364 TLS362/364 SERIES

CONCRETE POUR INSTALLATION

TLA362/TLA364 Series Plugging Boxes are recessed floor mounted enclosures designed for the temporary connection of up to two (362) or four (364) electrical devices in interior concrete pour installations. The cover set, with leveling screws, is adjustable and designed for dry pack grout after cover is leveled to finished floor. A non-skid textured surface is suitable for use in churches and school auditoriums.

EXISTING FLOOR INSTALLATION

TLS362/TLS364 Series Plugging Boxes are recessed floor mounted enclosures designed for the temporary connection of up to two (362) or four (364) electrical devices in interior existing floor installations. The cover set features a non-skid textured surface, suitable for use in churches and school auditoriums.

Optional Finish Trim substitutes a brushed/satin finish on a smooth surface on both TLA/TLS plug boxes, suitable for use in offices, classrooms, and other public areas.

COLE
Lighting

C.W. Cole & Company, Inc.
2560 Rosemead Boulevard
South El Monte, CA 91733-1593

Tel. (626) 443-2473
Fax (626) 443-9253
info@colelighting.com
www.colelighting.com

Plugging Box

Concrete Pour Installation

TLA362/TLA364 Series

SPECIFICATIONS

Construction

Cast aluminum housing, door, frame and leveling collar are black polyester coated or finished in a brushed/satin • Optional brushed/satin finish, cast aluminum carpet flange overlaps housing to cover and protect edges of carpet • Device mounting plate is .063" aluminum • 20 gauge electro-galvanized steel concrete "throw-away" cover provided to keep debris out of housing during concrete pour

Electrical

Factory installed wiring devices are available as illustrated • Factory installed wiring devices are available as illustrated • TLA364 models, with multiple voltage devices, have metal interior barrier between compartments • Recessed housings have two tapped 1/2" conduit entries, one for each voltage compartment • cETLus listed electrical Metallic Outlet Box

Mounting

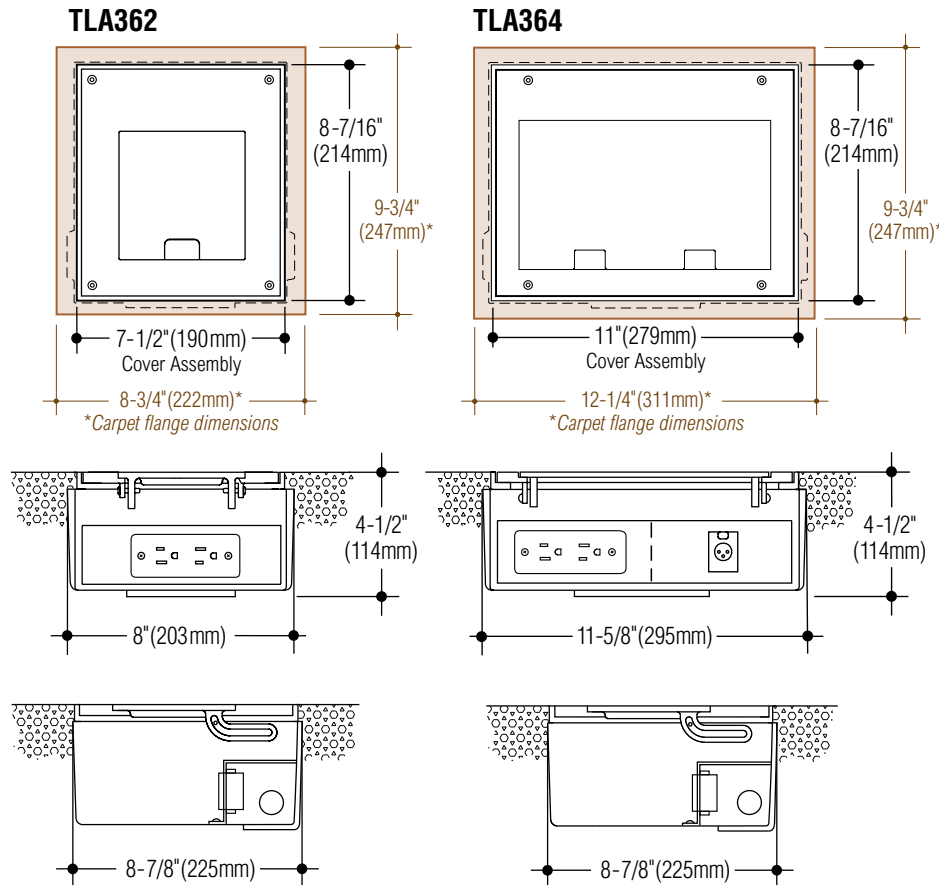
Boxes designed for poured concrete floors. Frame, with leveling screws, is adjustable and is designed for dry-pack grout after cover is leveled to finished floor.

How to Specify

1. Select catalog number with desired features.
2. Add suffixes for options required to meet job conditions.



CONCRETE POUR INSTALLATION



Device Capacity Chart

TLA362 and TLA364*

-GFCI duplex	-RJ11 1-6 jacks per insert	-RJ45 1-6 jacks per insert	-USB 1-6 jacks per insert	-HDMI 1-6 jacks per insert

One and *Two-gang capacity

Mixed and matched quantities
not to exceed total in any column.

Catalog Numbers

Cast aluminum, non-skid tread design 7-1/2" x 8-1/2". Blank interior plate.	TLA362
Cast aluminum, non-skid tread design 11" x 8-1/2". Blank interior plate.	TLA364

Installed Devices

Installed Devices	Suffix
Duplex Receptacle: 15 amp capacity.	-DUP
Ground Fault Circuit Interrupter: Weather and tamper resistant receptacle.	-GFCI
Phone/Ethernet: Telephone or data connection in modular Decora® cutout.	-RJ11 or -RJ45
Standard cable connection interface: Universal Serial Bus port.	-USB
Audio/video interface: High-definition multimedia interface.	-HDMI
Microphone connector: XLR 3-pole, jack, panel mount.	-MIC
Speaker connector: XLR 4-pole, jack, panel mount.	-SPKR
Customer specific: Specify device or desired provisions.	-9/(device or provisions)

OPTIONS

- Cast Bronze Cover:** Satin clear coated, non-skid tread standard. Add suffix **-B**.
- Finish Trim:** Brushed satin finish, clear coated. Add suffix **-FT**.
- Carpet Flange:** Finish Trim included. Add suffix **-CF**.
- Cast Iron Housing:** Add suffix **-FE**.
- Dust Cover:** Outlet covers. Add suffix **-D**.
- Conduit holes:** Special or additional tapped holes in housing. Add suffix **-KO**.
- Custom color:** Contact factory. Add suffix **-CC**.



T: 626.443.2473
 F: 626.443.9253
www.colelighting.com
info@colelighting.com

Plugging Box

Existing Floor Installation

TLS362/TLS364 Series

SPECIFICATIONS

Construction

16 gauge electro-galvanized steel housing is black polyester coated, cast aluminum door and frame are black polyester coated • Device mounting plate is .063" aluminum

Electrical

Factory installed wiring devices are available as illustrated • TLS364 models, with multiple voltage devices, have metal interior barrier between compartments • Recessed housings have four 1/2", 3/4", 1" combination conduit knockouts • cETLus listed electrical Metallic Outlet Box

Mounting

Hardwood floors. Unit is designed to be recessed with no overlap. Particularly suitable for installation in existing floors. Unit flexes with floor.

TLS362-B

Non-skid tread is standard on the Cast Bronze Cover option.



How to Specify

1. Select catalog number with desired features.
2. Add suffixes for options required to meet job conditions.

Device Capacity Chart

TLS362 and TLS364*

-GFCI duplex	-RJ11 1-6 jacks per insert	-RJ45 1-6 jacks per insert	-USB 1-6 jacks per insert	-HDMI 1-6 jacks per insert

One and *Two-gang capacity

Mixed and matched quantities not to exceed total in any column.

T: 626.443.2473

F: 626.443.9253

www.colelighting.com

info@colelighting.com

COLE
Lighting

TLS364-FT

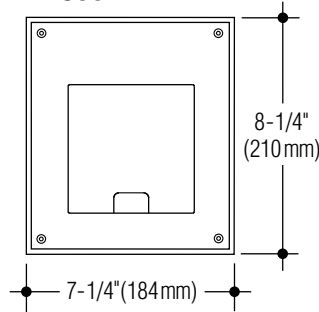
TLS362

TLS364-B-FT
CAST BRONZE
COVER

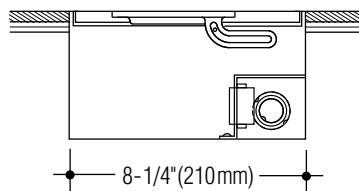
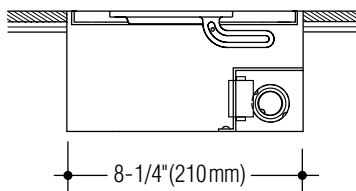
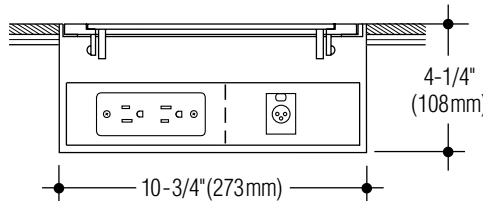
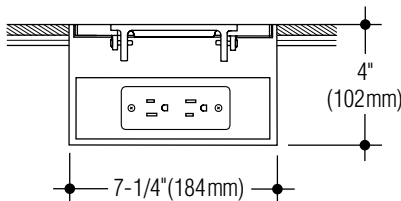
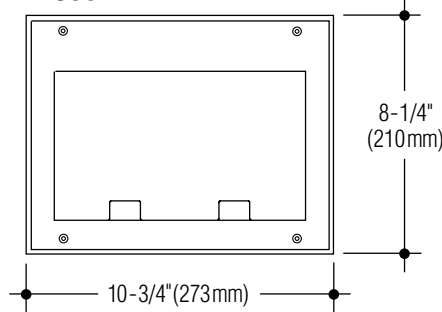
TLS362-FT
FINISH TRIM

EXISTING FLOOR INSTALLATION

TLS362



TLS364



Catalog Numbers

Cast aluminum, non-skid tread design 7-1/8" x 8-1/8". Blank interior plate.

TLS362

Cast aluminum, non-skid tread design 10-5/8" x 8-1/8". Blank interior plate.

TLS364

Installed Devices

Suffix

Duplex Receptacle: 15 amp capacity.

-DUP

Ground Fault Circuit Interrupter: Weather and tamper resistant receptacle.

-GFCI

Phone/Ethernet: Telephone or data connection in modular Decora® cutout.

-RJ11 or -RJ45

Standard cable connection interface: Universal Serial Bus port.

-USB

Audio/video interface: High-definition multimedia interface.

-HDMI

Microphone connector: XLR 3-pole, jack, panel mount.

-MIC

Speaker connector: XLR 4-pole, jack, panel mount.

-SPKR

Customer specific: Specify device or desired provisions.

-9/(device or provisions)

Options

Cast Bronze Cover: Satin clear coated, non-skid tread standard. Add suffix **-B**.

Finish Trim: Brushed satin finish, clear coated. Add suffix **-FT**.

Dust Cover: Outlet covers. Add suffix **-D**.

Conduit holes: Special or additional tapped holes in housing. Add suffix **-KO**.

Custom color: Contact factory. Add suffix **-CC**.