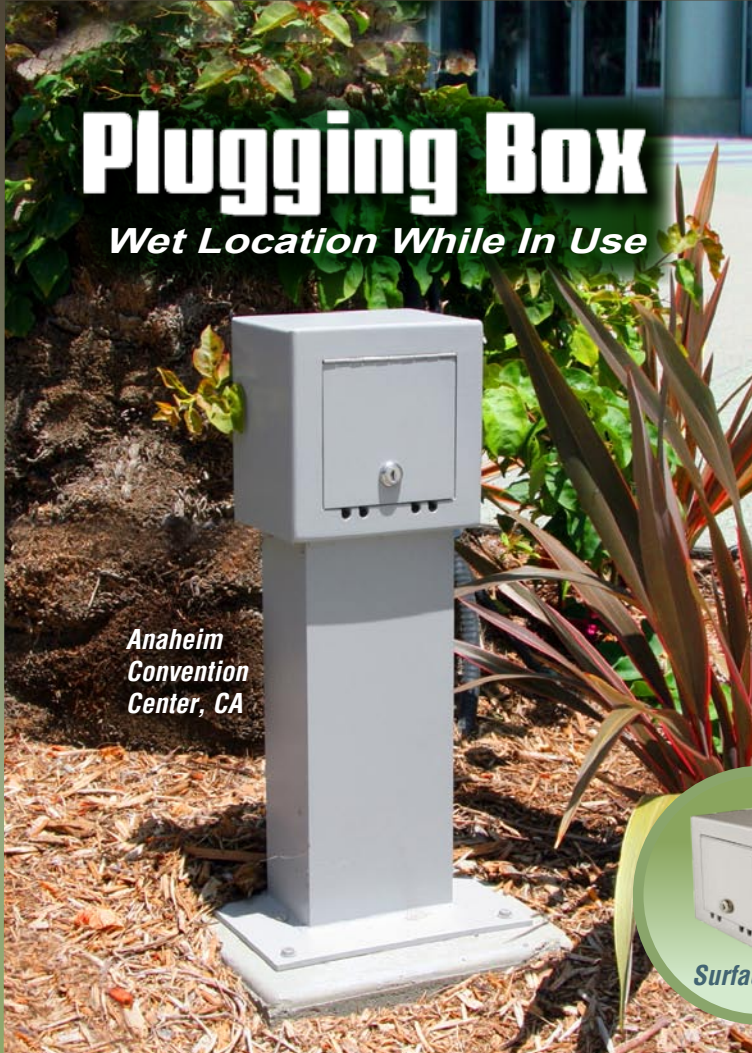


Plugging Box

Wet Location While In Use

Anaheim
Convention
Center, CA



TL210/TL310/ TL410-WCS SERIES



Surface/wall



The TL210/310/410-WCS Series Plugging Boxes are recessed wall mounted or free-standing pedestal mounted enclosures designed for the temporary connection of electrical devices in exterior applications.

Cast covers feature a unique cord slot system that prevents ingress of water from rain and sprinklers.

Plugging Boxes are appropriate in parks, schools, convention centers and other public gathering areas for connection of power and AV equipment.



COLE
Lighting

C.W. Cole & Company, Inc.
2560 Rosemead Boulevard
South El Monte, CA
91733-1593

Tel. (626) 443-2473
Fax (626) 443-9253
info@colelighting.com
www.colelighting.com



Plugging Box

Wet Location While In Use

TL210-WCS Series

SPECIFICATIONS

Construction

Recessed housings are die-formed 16 gauge, electro-galvanized steel, coated in white polyester and suitable for installation in concrete pour • Pedestal housings are constructed from 1/8" die-formed aluminum coated in metallic aluminum polyester. Pedestal baseplates are 1/4" aluminum • Gasketed doors and frames are cast aluminum with two integral cord-slots, stainless steel piano hinges, and locking or non-locking latches • Receptacle mounting plates and voltage barriers are .080" aluminum.

Electrical

Factory installed wiring devices or combinations are available as indicated • Recessed housing has eight 1/2", 3/4", 1" combination conduit knockouts • Pedestal allows for two conduit stub-ups • cETLus electrical Metallic Outlet Box listed for installation in wet locations while in use.

Mounting

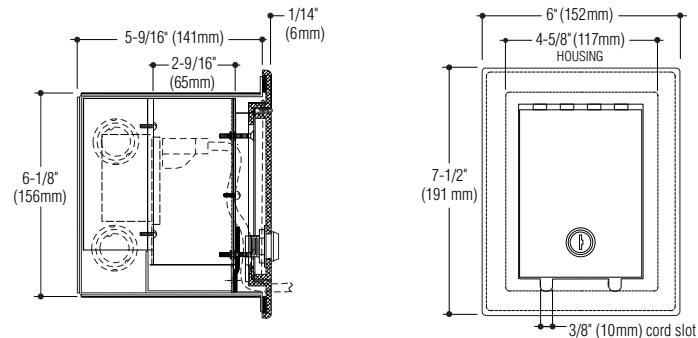
Recessed housing suitable for concrete pour. Pedestal models include four 4" 5/16 -18 stainless steel sleeve anchors.

How to Specify

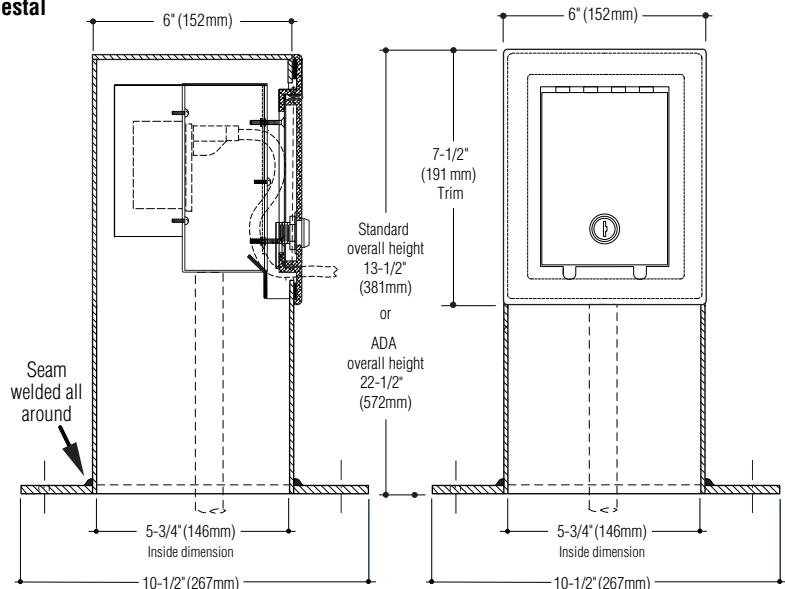
- Select catalog number with desired features.
Example: TL210 recessed housing with cord slots.
= TL210-WCS
- Add suffixes for options required to meet job conditions. When requesting device in multiples please add suffix and quantity separated by a slash.
Example: One USB and two RJ11 device
= -USB/1-RJ11/2
Complete order: TL210-WCS-USB/1-RJ11/2



Recessed



Pedestal



Device Capacity Chart

TL210-WCS

-GFCI duplex	-RJ11 1-6 jacks per insert	-RJ45 1-6 jacks per insert	-USB 1-6 jacks per insert	-HDMI 1-6 jacks per insert
Single-gang capacity				
Mixed and matched quantities not to exceed total in any column.				

Catalog Numbers

Recessed housing, solid receptacle plate with voltage barrier	TL210-WCS
6" Pedestal housing, solid receptacle plate with voltage barrier	TL210-WCS-PED

Installed Devices

Weather resistant/tamper resistant receptacle	-GFCI/WR/TR
Telephone or data connection in modular Decora® cutout	-RJ11 or -RJ45
Universal Serial Bus port	-USB
High-definition multimedia interface	-HDMI
Specify device to be installed or desired provisions-only	-9/(device or provisions)

Options

Bronze cover: Satin finished, clear coated.

(Recessed only) Add suffix **-B**.

Pedestal height over 6": Add suffix **-PED/(height)**.

No key: Add suffix **-NK**.

Custom color: Contact factory. Add suffix **-CC**.

ADA compliant pedestal:

Add suffix **-PED/ADA**.

Maintains the minimum ADA required 15" receptacle height when pedestal is mounted at grade.



T: 626.443.2473
F: 626.443.9253
www.colelighting.com
info@colelighting.com

Plugging Box

Wet Location While In Use

TL310-WCS Series

SPECIFICATIONS

Construction

Recessed housings are die-formed 16 gauge, electro-galvanized steel, coated in white polyester and suitable for installation in concrete pour. Surface and pedestal housings are constructed from 1/8" die-formed aluminum coated in metallic aluminum polyester • Pedestal baseplates are 1/4" aluminum • Gasketed doors and frames are cast aluminum with four integral cord-slots, stainless steel piano hinges, and locking or non-locking latches • Receptacle mounting plates and voltage barriers are .080" aluminum.

Electrical

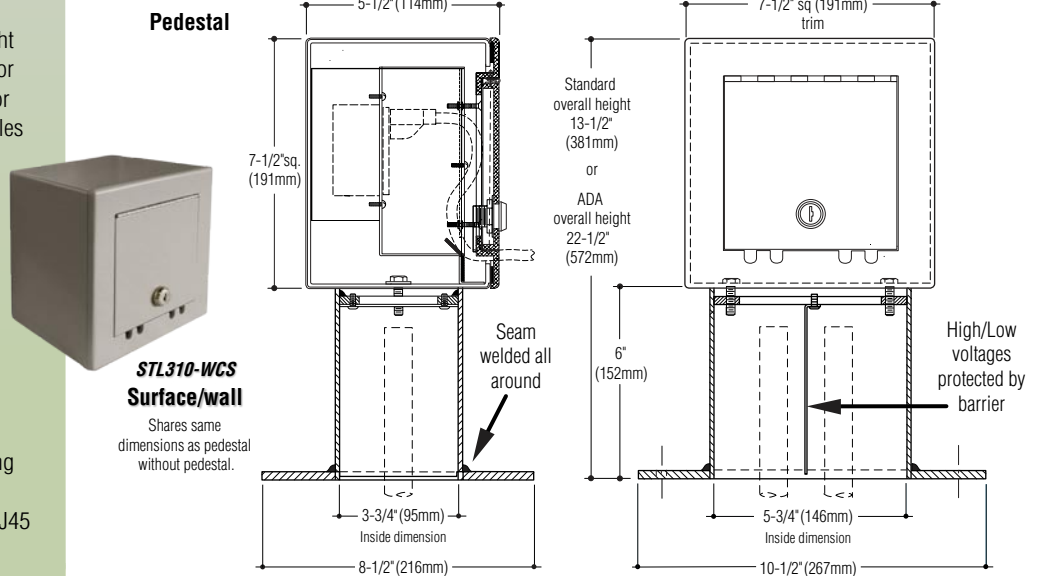
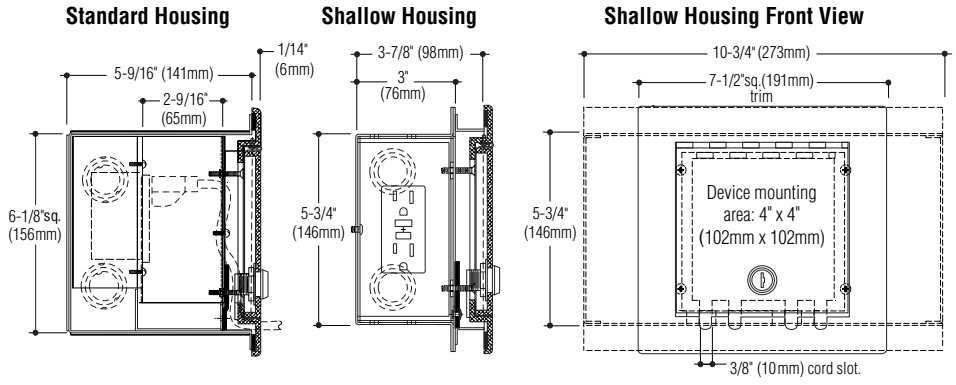
Factory installed wiring devices or combinations are available as illustrated • Integrated voltage barrier is provided, allowing low and high voltage devices to be installed in one box • Recessed housing has eight 1/2", 3/4", 1" combination conduit knockouts, four for each device compartment • Pedestal allows room for two conduit stub-ups • Surface housing conduit holes provided where required • cETLus electrical Metallic Outlet Box listed for installation in wet locations while in use.

Mounting

Recessed housing suitable for concrete pour. Pedestal models include four 4" 5/16-18 stainless steel sleeve anchors. Surface housings include mounting holes, as required.

How to Specify

1. Select catalog number with desired features.
2. Add suffixes for options required. When requesting device in multiples please add suffix and quantity separated by a slash. **Example:** Two GFCI and one RJ45 device = -GFCI/2-RJ45/1
Complete order: TL310-WCS-GFCI/2-RJ45/1



STL310-WCS Surface/wall
Shares same dimensions as pedestal without pedestal.

Device Capacity Chart				
TL310-WCS				
-GFCI duplex	-RJ11 1-6 jacks per insert	-RJ45 1-6 jacks per insert	-USB 1-6 jacks per insert	-HDMI 1-6 jacks per insert
Two-gang capacity				
Mixed and matched quantities not to exceed total in any column.				

Catalog Numbers

Recessed/Deep housing, solid receptacle plate with voltage barrier	TL310-WCS
Recessed/Shallow housing, solid receptacle plate with voltage barrier	TL310-WCS-SH
6" Pedestal housing, solid receptacle plate with voltage barrier	TL310-WCS-PED
Surface housing, blank receptacle plate	STL310-WCS

Installed Devices

Weather resistant/tamper resistant receptacle	-GFCI/WR/TR
Telephone or data connection in modular Decora® cutout	-RJ11 or -RJ45
Universal Serial Bus port	-USB
High-definition multimedia interface	-HDMI
Specify device to be installed or desired provisions-only	-9/(device or provisions)
30 amp or greater will require 14" deep specialized housing	-9/(indicate receptacle)

Options

- Bronze cover:** Satin finished, clear coated. (Recessed only) Add suffix **-B**.
- Pedestal height over 6":** Add suffix **-PED/(height)**.
- No key:** Add suffix **-NK**.

Custom color: Contact factory. Add suffix **-CC**.
ADA compliant pedestal: Add suffix **-PED/ADA**.
Maintains the minimum ADA required 15" receptacle height when pedestal is mounted at grade.



T: 626.443.2473
F: 626.443.9253
www.colelighting.com
info@colelighting.com

Plugging Box

Wet Location While In Use

TL410-WCS Series

SPECIFICATIONS

Construction

Recessed housings are die-formed 16 gauge, electro-galvanized steel, coated in white polyester and suitable for installation in concrete pour. Surface and pedestal housings are constructed from 1/8" die-formed aluminum coated in metallic aluminum polyester. Pedestal baseplates are 1/4" aluminum

- Gasketed doors and frames are cast aluminum with integral eight cord-slots, stainless steel piano hinges, and locking or non-locking latches
- Receptacle mounting plates and voltage barriers are .080" aluminum.

Electrical

Factory installed wiring devices or combinations are available as indicated

- Integrated voltage barrier is provided, allowing low and high voltage devices to be installed in one box
- Recessed housing has eight 1/2", 3/4", 1" combination conduit knockouts, four for low and high voltage compartments
- Pedestal allows room for two conduit stub-ups
- Surface housing conduit holes provided where required
- cETLus electrical Metallic Outlet Box listed for installation in wet locations while in use.

Mounting

Recessed housing suitable for concrete pour. Pedestal models include four 4" 5/16-18 stainless steel sleeve anchors. Surface housings include mounting holes, as required.

How to Specify

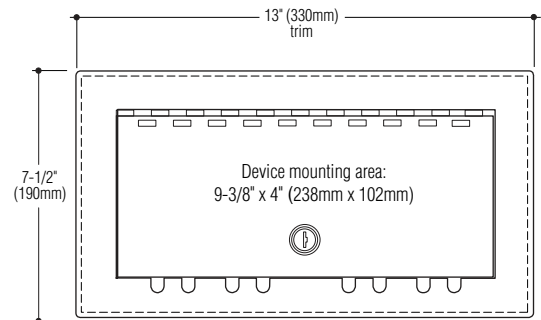
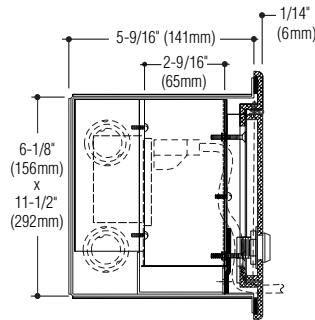
1. Select catalog number with desired features.
 2. Add suffixes for options required. When requesting device in multiples please add suffix and quantity separated by a slash. Example: Two GFCI and one RJ45 device = -GFCI/2-RJ45/1
- Complete order: TL410-WCS-GFCI/2-RJ45/1



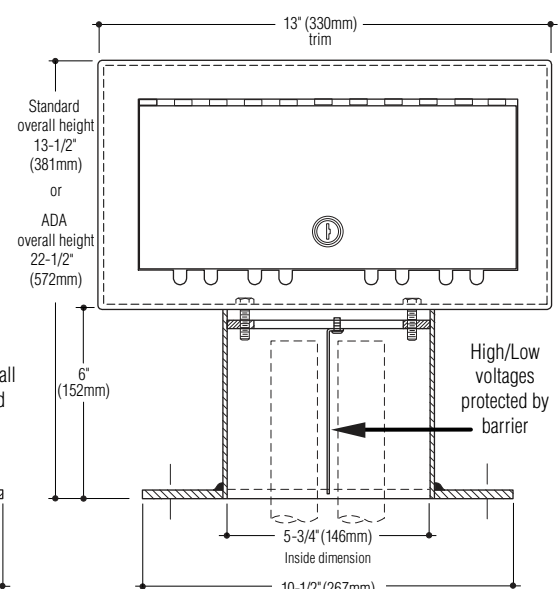
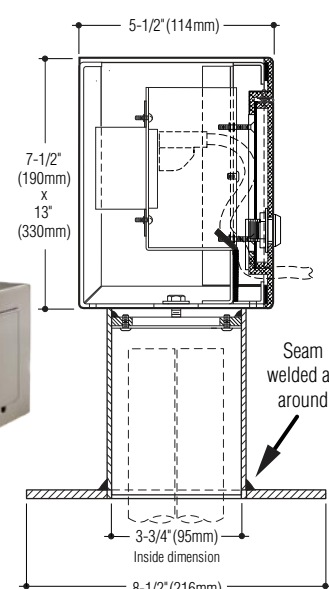
STL410-WCS
Surface/wall
Shares same dimensions as pedestal without pedestal



Recessed



Pedestal



Catalog Numbers

Recessed housing, solid receptacle plate with voltage barrier	TL410-WCS
6" Pedestal housing, solid receptacle plate with voltage barrier	TL410-WCS-PED
Surface housing, blank receptacle plate	STL410-WCS

Installed Devices

Weather resistant/tamper resistant receptacle	-GFCI/WR/TR
Telephone or data connection in modular Decora® cutout	-RJ11 or -RJ45
Universal Serial Bus port	-USB
High-definition multimedia interface	-HDMI
Specify device to be installed or desired provisions-only	-9/(device or provisions)
30 amp or greater will require 14" deep specialized housing	-9/(indicate receptacle)

Options

- Bronze cover:** Satin finished, clear coated. (Recessed only) Add suffix **-B**.
- Pedestal height over 6":** Add suffix **-PED/(height)**.
- No key:** Add suffix **-NK**.
- Custom color:** Contact factory. Add suffix **-CC**.

ADA compliant pedestal:

Add suffix **-PED/ADA**.
Maintains the minimum ADA required 15" receptacle height when pedestal is mounted at grade.

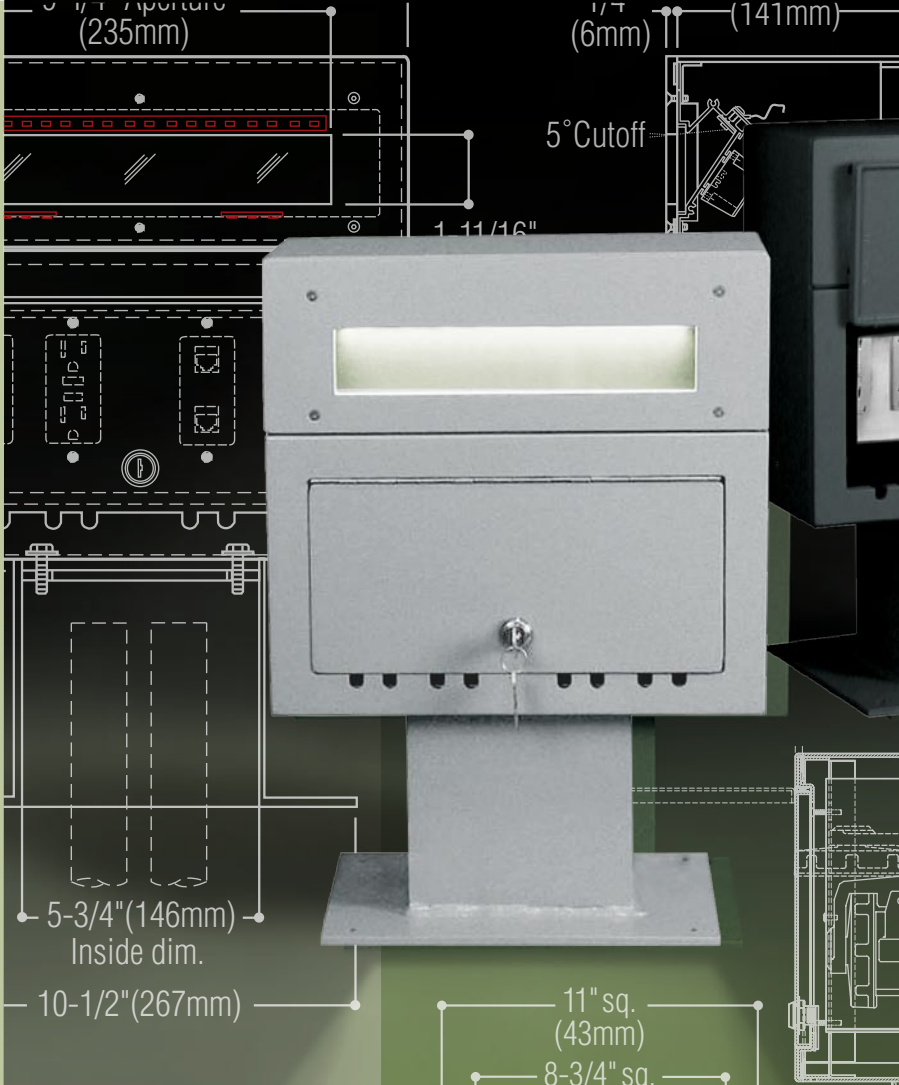
Device Capacity Chart

TL410-WCS

-GFCI duplex	-RJ11 1-6 jacks per insert	-RJ45 1-6 jacks per insert	-USB 1-6 jacks per insert	-HDMI 1-6 jacks per insert

Four-gang capacity

Mixed and matched quantities not to exceed total in any column.



TLL400-WCS-PED
 Plugging Box / LED Steplite
 Hybrid with lighted receptacle
 compartment

5-3/4" (146mm)
 Inside dim.
 10-1/2" (267mm)

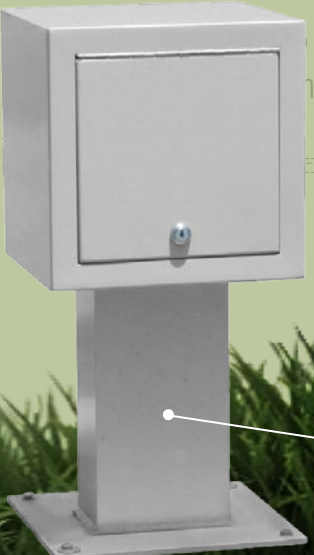
11" sq.
 (43mm)
 8-3/4" sq.
 (222mm)

CUSTOM

If your project demands a special fixture we would be pleased to discuss the production of custom fixtures to suit your specific conditions. For more information on our custom capabilities, please contact your local Cole representative.



California Plaza
 Los Angeles, CA



Anaheim Convention Center, CA
 Custom oversized enclosure



Custom Color
 Preferred color choices can be accommodated



Hospital Grade
Custom colored, key-locked trim with emergency backup power duplex receptacle

DEEP HOUSING

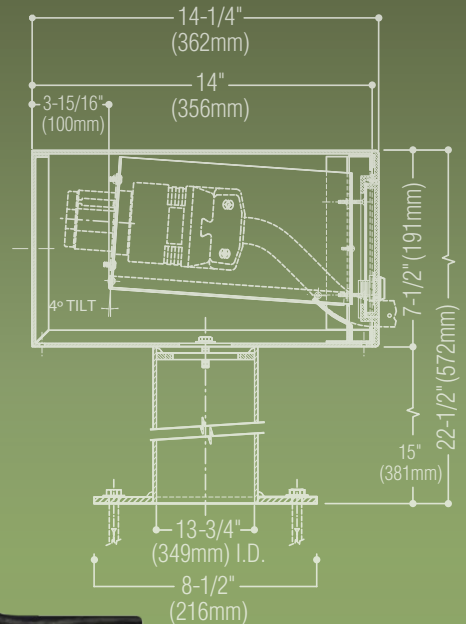
14" specialized housing is required for 30 amp or greater option.

**TL310-WCS-PED/ADA
-CC-9/50 AMP RECEPTACLE**

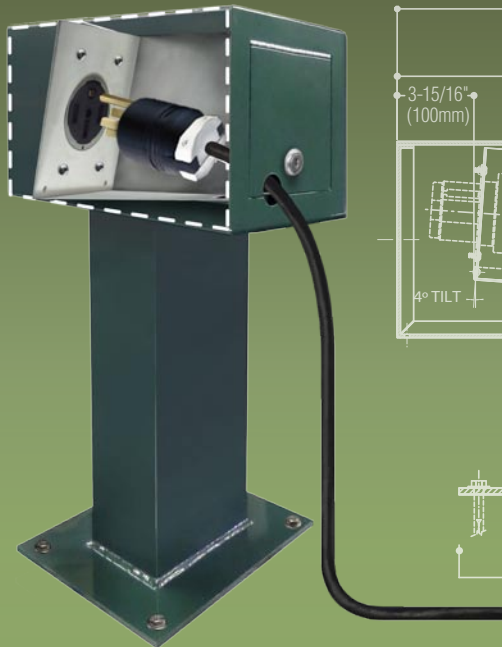
ADA compliant pedestal, custom color & specialised deep housing (plug/cord not included).



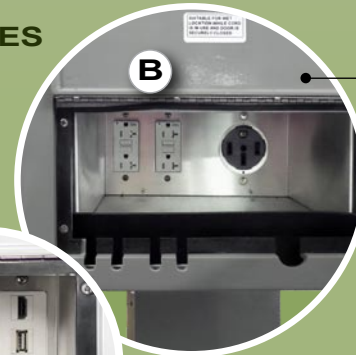
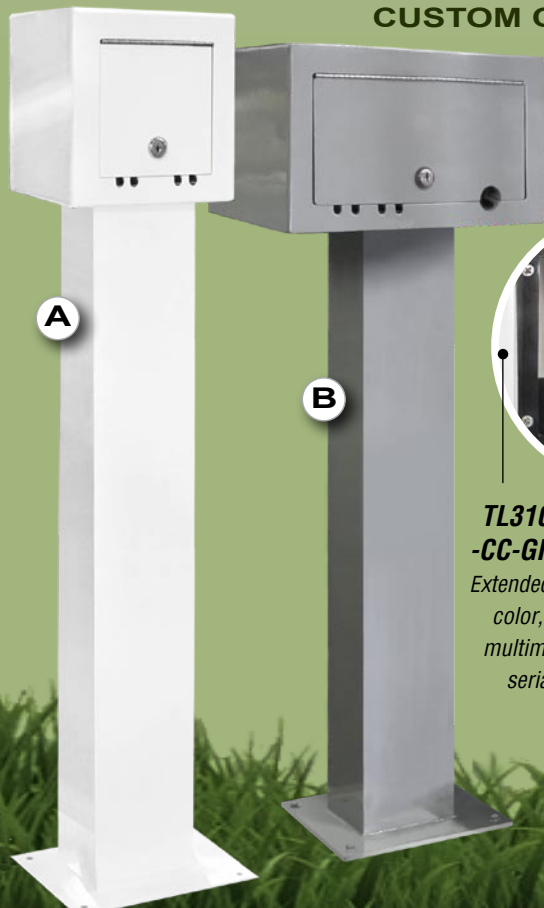
Cord slot, lock and key



TL210-WCS-CC-9/Red Hosp. Grd



CUSTOM CHOICES



TL410-WCS-PED/40-1/2"- SP
14" specialized housing, (2) GFCI Duplex, (1) 50-AMP receptacle, special 40.5" tall pedestal in standard metallic-silver polyester powder coat finish.



**TL310-WCS-PED/42"- SP
-CC-GFCI-HDMI-USB-RJ45**
Extended height pedestal, custom color, GFCI Duplex, High-def multimedia interface, universal serial bus and phone jack

CUSTOM-PEDESTAL with GFCI and RJ45
Custom housing created for 12 receptacles (11) GFCI Duplex, (1) RJ45 with a custom cord-slot option

