

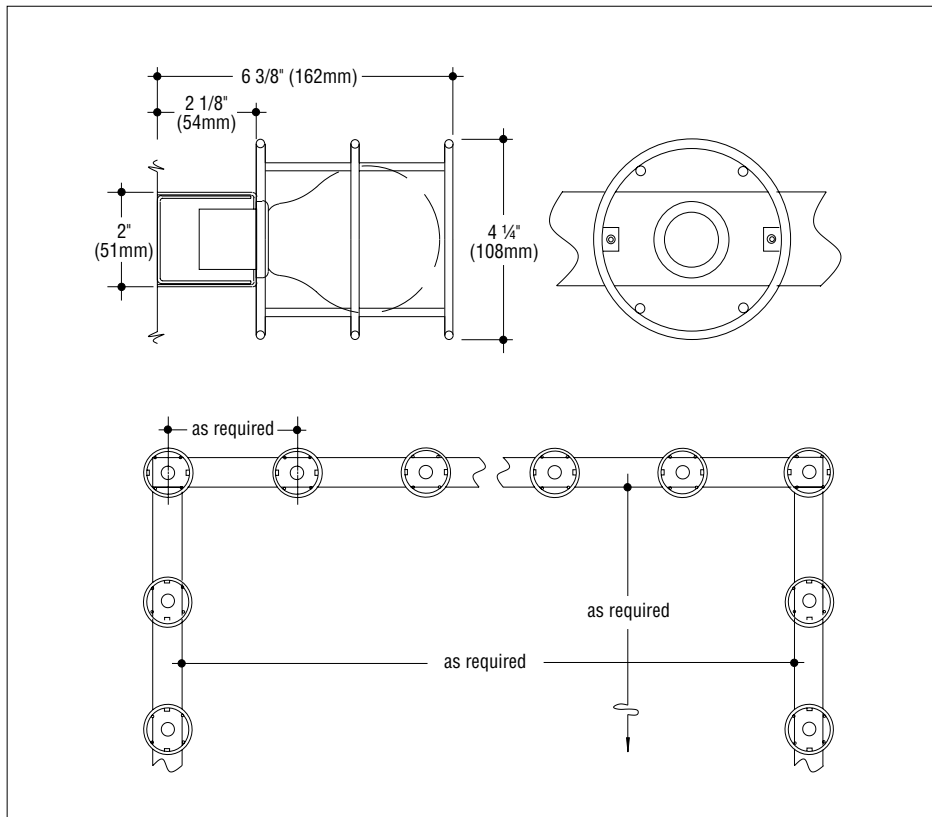
JOB NAME _____

TYPE _____

CATALOG NUMBER _____

Commercial Applications Dressing Room MirrorLite

VS-WG SERIES



Construction

- Fixture housing is constructed of die-formed 20 gauge steel with white polyester powder coating
- Open ended guards are polished chrome plated steel, riveted to housing
- Actual lamp spacing is adjusted for even spacing after layout is determined
- cULus listed
- Suitable for installation in damp locations

Electrical

- 120V
- Suitable for G25 and A19 LED lamps
- Available with convenience outlets and switch
- Recessed porcelain medium base lampholders have nickel plated screw shells
- Limit of two convenience outlets per lighting fixture
- Complete assembly can be configured as series of separate fixtures to allow additional outlets

Mounting

- Holes provided in back of housing for direct mounting to wall
- Intersecting legs have thru-wiring provisions

Catalog Number	Nominal lamp spacing
	6" (152 mm) 9" (203mm) 12" (305mm)
	<input type="checkbox"/> VS-6"-WG <input type="checkbox"/> VS-9"-WG <input type="checkbox"/> VS-12"-WG

Note: Number does not define length. Add length to catalog number. Ex: VS-6"-WG-3'10½"

Options

Convenience Outlet: Grounded three wire outlet at lower end of each vertical leg.

Add suffix **-CO**.

Switch: Integral rocker switch to control lighting at individual makeup position. In continuous assemblies, controlled section must be defined.

Add suffix **-SW**.

Alternate Finishes on fixture housing:

Polished stainless steel. Add suffix **-PSS**.

Brushed Stainless Steel. Add suffix **-BSS**.

Black polyester coating. Add suffix **-BLK**.

Custom color. Add suffix **-CC/** _____ (color).

How to Specify

1. Select catalog number with desired features.
2. Add suffixes for options required to meet job conditions.
3. Provide required length(s) or drawing of required layout.



C.W. Cole & Company, Inc.
2560 Rosemead Boulevard
South El Monte, CA 91733-1593

Tel. (626) 443-2473
Fax (626) 443-9253
info@colelighting.com
www.colelighting.com