

JOB NAME _____

Type _____

CATALOG NUMBER _____

Plugging Boxes

**TLR SERIES
Convertible Floor Box**

Specifications

Construction

- Recessed housing is die-formed 16 gauge, electro-galvanized steel, coated with black polyester and suitable for concrete pour installations
- Device housing is cast bronze with an optional spun bronze carpet flange; each are satin finished with a clear coating
- Flush-fitting lock assembly operates in open and closed positions.

Electrical

- Factory installed wiring devices or combinations are available as illustrated
- Integrated voltage barrier is provided, allowing low and high voltage devices to be installed in one box
- Recessed housing has four 1/2", 3/4", 1" combination conduit knockouts, and four additional combination conduit knockouts, split between each device compartment
- cETLus listed electrical Metallic Outlet Box

Mounting

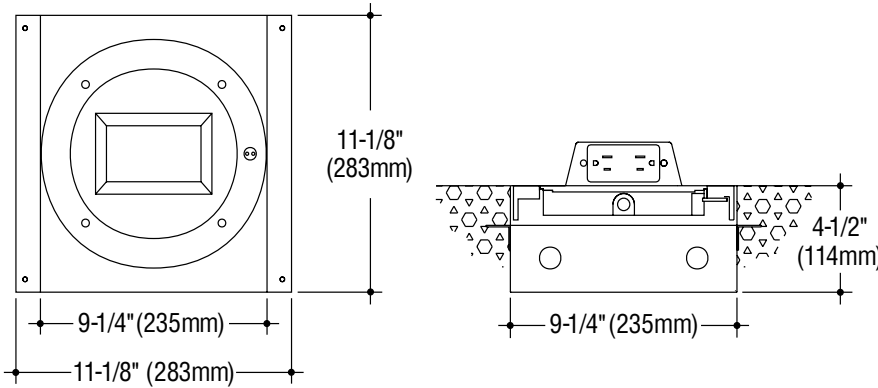
- Housing is suitable for installation in poured concrete
- Spun throw-away pan provides proper opening for leveling ring
- Box designed for grout after leveling to finished floor
- Carpet flange substitutes for adjustment ring on standard floor box
- Edge of flange overlaps onto carpet and bites into pile

How to Specify

1. Select catalog number with desired features.
2. Add suffixes for options required to meet job conditions. When requesting device in multiples please add suffix & quantity separated by a slash.

Example:

Complete order: TLR-USB,RJ45/2-DUP

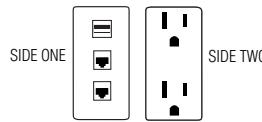


Mounting area for devices: Sides 1½" x 3½"; Top 2" x 3½"

Catalog Number TLR- _____

Illustrated Example:

Complete order: TLR-USB-RJ45/2-DUP



Options

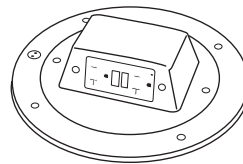
Cast Iron Housing: Add suffix -FE.

Carpet Flange: Add suffix -CF.

Nickel Plating: Matches stainless steel appearance. Add suffix -NP.

Custom Color: consult factory for choices). Add suffix -CC.

Additional Conduit Entries: Specify size and locations. Add suffix -KO.



Device Options

Duplex Receptacle: 15 amp capacity. Add suffix -DUP

Ground Fault Circuit Interrupter: Weather and tamper resistant receptacle. Add suffix -GFCI

Duplex/Cable Receptacle: Combo dual plug and USB ports. Add suffix -DUP/USB

Phone/Ethernet: Phone or data connection in modular Decora® cutout. Add suffix -RJ11 or -RJ45

Standard cable connection interface: Universal Serial Bus port. Add suffix -USB

Audio/video interface: High-definition multimedia interface. Add suffix -HDMI

Speaker connector: XLR 4-pole, jack, panel mount. Add suffix -SPKR

Microphone connector: XLR 3-pole, jack, panel mount. Add suffix -MIC

Customer specific: Specify device or desired provisions. Add suffix -9/(device or provisions)

TLR Device Capacity Chart

-DUP duplex	-GFCI duplex w. circuit breaker	-DUP/ USB duplex w. USB ports	-RJ11 1-6 jacks per insert	-RJ45 1-6 jacks per insert	-USB 1-6 ports per insert	-HDMI 1-6 ports per insert	-SPKR single	-MIC single
Maximum inserts per housing = 2							= 4	
Mixed and matched quantities not to exceed total in any column.								



C.W. Cole & Company, Inc.
2560 Rosemead Boulevard
South El Monte, CA 91733-1593

Tel. (626) 443-2473
Fax (626) 443-9253
info@colelighting.com
www.colelighting.com