

JOB NAME _____

TYPE _____

CATALOG NUMBER _____

Downlites Square Dry Ceiling

SPECIFICATION

Construction

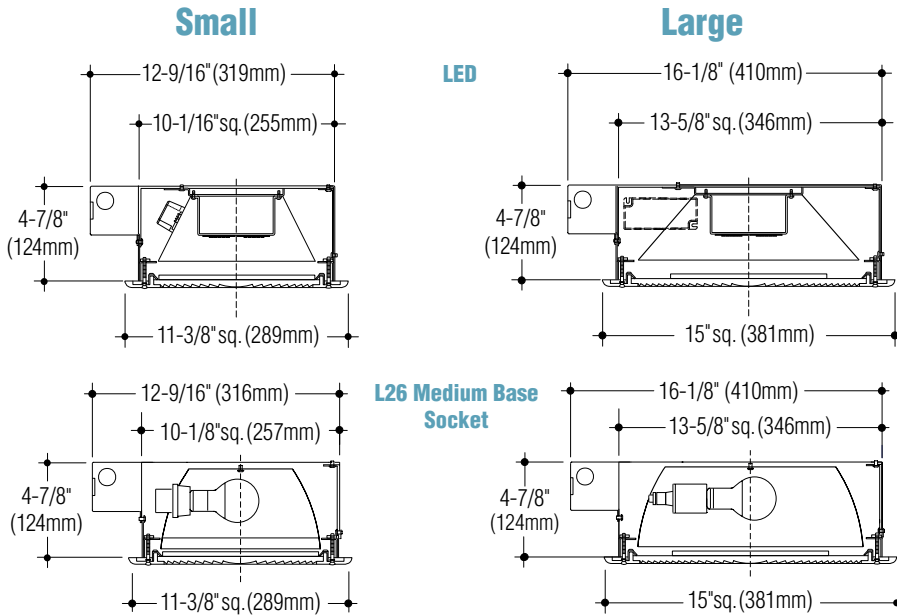
• with white polyester coating • Cast aluminum or 18 gauge stainless steel trim with satin
Optional colors are available • Drop-hinged trim secured by two stainless steel captive screws • Semi-specular aluminum reflector on E26 lamp holder models • Opal glass lens furnished as standard. Optional frosted tempered glass is available.

Electrical

• Fixtures are wired for standard and high output LEDs available in a variety of colors or E26/medium base lamps • Integral drivers are universal voltage; 0-10v dimming drivers available • Integral junction box has 1/2" conduit knockouts at each end and two in back
• Junction box is accessible from above and within housing for wiring before or after the fixture is in place • cETLus listed for wet locations when specified • Suitable for IC/ non-IC ceiling construction.

Mounting

• Housing has flanges for attachment to forms.



	Catalog Number	Wattage/Lamp	Base
Small	<input type="checkbox"/> DL1308S	LED 21W, (3030 lm @ 3000°K)	Chip on board
	<input type="checkbox"/> DL1308S-HO	LED 29W, (4240 lm @ 3000°K)	Chip on board
	<input type="checkbox"/> DL1308S-VHO	LED 43W, (6350 lm @ 3000°K)	Chip on board
	<input type="checkbox"/> DL1608S	E26 LED lamp socket	Medium base
Large	<input type="checkbox"/> DL1312S	LED 21W, (3030 lm @ 3000°K)	Chip on board
	<input type="checkbox"/> DL1312S-HO	LED 29W, (4240 lm @ 3000°K)	Chip on board
	<input type="checkbox"/> DL1312S-VHO	LED 43W, (6350 lm @ 3000°K)	Chip on board
	<input type="checkbox"/> DL1612S	E26 LED lamp socket	Medium base

Lumens shown are source. | Photometric data available for Downlites upon request.

Options

Trim:

Satin stainless steel. Add suffix -N.

Cast guard. Add suffix -G.

Cast regressed. Add suffix -P.

Diffuser:

3/8" Frosted tempered glass diffuser.

Add suffix -HD.

Tamperproof screws: Socket head trim screws.

Add suffix -TP.

Dimming: LED, Universal voltage, 0-10V driver.

Add suffix -DIM.

LED colors: 4000°K (3075 lm), -HO (4303 lm), -VHO (6445 lm). Add suffix -4K.

Weatherproof: IP55 rated for exterior applications. Add suffix -W.

Emergency battery: Provides up to 90 minutes of operation. Add suffix -EM.

Alternate faceplate color:

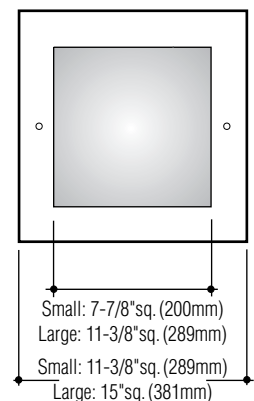
Black. Add suffix -BLK.

White. Add suffix -WHT.

Custom color. Add suffix -CC/_____. specify

How to Specify

1. Select catalog number with desired features.
2. Add suffixes for options required to meet job conditions.



C.W. Cole & Company, Inc.
 2560 Rosemead Boulevard
 South El Monte, CA 91733-1593

Tel. (626) 443-2473
 Fax (626) 443-9253
 info@colelighting.com
www.colelighting.com