

**JOB NAME** \_\_\_\_\_

**TYPE** \_\_\_\_\_

**CATALOG NUMBER** \_\_\_\_\_

**Downlites**

**Round Dry Ceiling**

**SPECIFICATION**

**Construction**

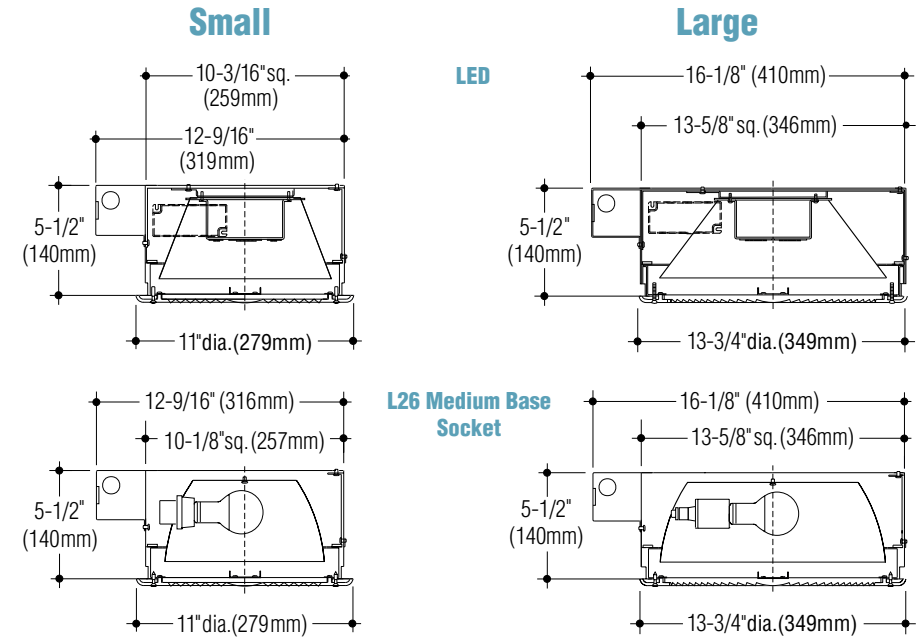
• 16 gauge electro-galvanized steel housing with white polyester coating • Cast aluminum trim with metallic aluminum polyester coating or 18 gauge stainless steel trim with satin finish. Optional colors are available • Drop-hinged trim secured by two stainless steel captive screws • Semi-specular aluminum reflector on E26 lamp holder models • Opal glass lens furnished as standard. Optional frosted tempered glass is available.

**Electrical**

• Fixtures are wired for standard and high output LEDs available in a variety of colors or E26/medium base lamps • Integral drivers are universal voltage; 0-10v dimming drivers available • Integral junction box has 1/2" conduit knockouts at each end and two in back • Junction box is accessible from above and within housing for wiring before or after the fixture is in place • cETLus listed for wet locations when specified • Suitable for IC/ non-IC ceiling construction.

**Mounting**

• Housing has flanges for attachment to forms.



	Catalog Number	Wattage/Lamp	Base
Small	<input type="checkbox"/> DL1308RS	LED 21W, (3030 lm @ 3000°K)	Chip on board
	<input type="checkbox"/> DL1308RS-HO	LED 29W, (4240 lm @ 3000°K)	Chip on board
	<input type="checkbox"/> DL1308RS-VHO	LED 43W, (6350 lm @ 3000°K)	Chip on board
	<input type="checkbox"/> DL1608RS	E26 LED lamp socket	Medium base
Large	<input type="checkbox"/> DL1312RS	LED 21W, (3030 lm @ 3000°K)	Chip on board
	<input type="checkbox"/> DL1312RS-HO	LED 29W, (4240 lm @ 3000°K)	Chip on board
	<input type="checkbox"/> DL1312RS-VHO	LED 43W, (6350 lm @ 3000°K)	Chip on board
	<input type="checkbox"/> DL1612RS	E26 LED lamp socket	Medium base

*Lumens shown are source. | Photometric data available for Downlites upon request.*

**Options**

**Trim:**

Satin stainless steel. Add suffix  -N.  
 Cast louvered. (Small only) Add suffix  -L.  
 Cast regressed. Add suffix  -P.

**Diffuser:**

3/8" Frosted tempered glass diffuser.  
 Add suffix  -HD.

**Tamperproof screws:** Socket head trim screws.  
 Add suffix  -TP.

**Dimming:** LED, Universal voltage, 0-10V driver.  
 Add suffix  -DIM.

**LED colors:** 4000°K (3075 lm), -HO (4303 lm),  
 -VHO (6445 lm). Add suffix  -4K

**Weatherproof:** IP 55 rated for exterior applications. Add suffix  -W.

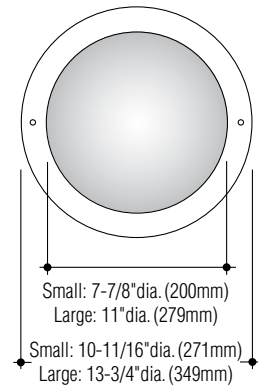
**Emergency battery:** Provides up to 90 minutes of operation. Add suffix  -EM.

**Alternate faceplate color:**

Black. Add suffix  -BLK.  
 White. Add suffix  -WHT.  
 Custom color. Add suffix  -CC/\_\_\_\_\_. specify

**How to Specify**

1. Select catalog number.
2. Add suffixes for options required to meet job conditions.



**C.W. Cole & Company, Inc.**  
 2560 Rosemead Boulevard  
 South El Monte, CA 91733-1593

Tel. (626) 443-2473  
 Fax (626) 443-9253  
 info@colelighting.com  
[www.colelighting.com](http://www.colelighting.com)