

JOB NAME _____

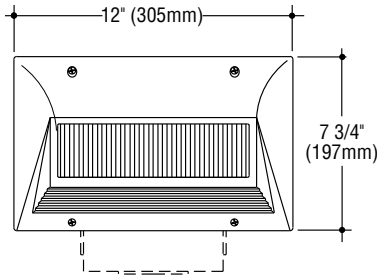
TYPE _____

CATALOG NUMBER _____

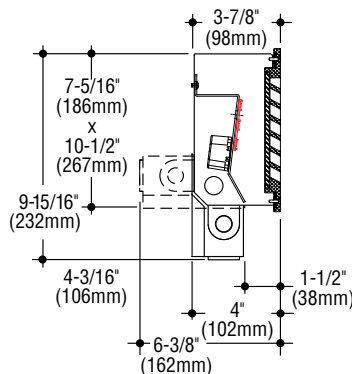
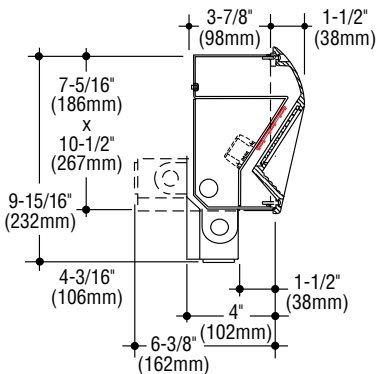
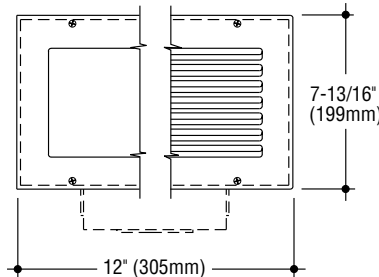
Steplites

**LX2153 SERIES
LX2153D SERIES
DIRECTIONAL**

Directional faceplate



Non-Louvered or Louvered faceplate



SPECIFICATIONS

Construction

- Fixture housing is constructed from die-formed 16 gauge electro-galvanized steel finished with a white polyester coating
- Faceplate is cast aluminum with metallic aluminum polyester coating, gasketed and retained by stainless steel screws
- Diffuser in 2153 is frosted tempered glass; the lens in 2153D is ribbed tempered glass. Both are set in silicone sealant
- Junction box is cast aluminum with polyester coating
- cETLus listed, suitable for wet locations
- Models are suitable for any wall construction including concrete pour/block wall construction.

Electrical

- Fixture is available in varying types and wattages. Drivers are universal voltage
- Housing provided with 1/2" conduit knockout on each side, suitable for 4 wire thru-wiring, 2 in 2 out
- Junction box allows 8 wire thru-wiring, 4 in 4 out. Provided with two 1/2" tapped conduit entrances in the bottom and one 1/2" conduit tapped knockouts on side of housing.

Mounting

Housing has flanges with holes for mounting.

Catalog Numbers Lamps	Faceplate		
	Directional	Louwer	Non-Louwer
LED 18W, (2440 lm @ 3000°K)	<input type="checkbox"/> LX2153DW	<input type="checkbox"/> LX2153W	<input type="checkbox"/> LX2153GW
LED 26W, (3400 lm @ 3000°K)	<input type="checkbox"/> LX2153DW-HO	<input type="checkbox"/> LX2153W-HO	<input type="checkbox"/> LX2153GW-HO
LED 37W, (4740 lm @ 3000°K)	<input type="checkbox"/> LX2153DW-VHO	<input type="checkbox"/> LX2153W-VHO	<input type="checkbox"/> LX2153GW-VHO

Lumens shown are source.
Photometric data available upon request

Options

Cast Bronze faceplate: Satin finished, clear coated. Add suffix -B.

Tamperproof screws: Socket head faceplate screws. Add suffix -TP.

Alternate faceplate color: Black or white. Add suffix -BLK or -WHT.

Opal glass diffuser: Tempered (Not available on directional models). Add suffix -OPL.

Voltage: 277V driver, Universal Voltage. Add suffix -277

Junction box: Bottom or back mounted as required for feed-thru. Add suffix -J.

Dimming: Universal voltage, 0-10V driver.

Add suffix -DIM

Emergency battery (4 Watt): Provides up to 90 minutes operation. Add suffix -EM.

LED colors: 4000°K (2460 lm), -HO (3485 lm), -VHO (4858 lm). Add suffix -4K.

How to Specify

1. Select catalog number with desired features.
2. Add suffixes for options required to meet job conditions.



C.W. Cole & Company, Inc.
2560 N. Rosemead Boulevard
South El Monte, CA 91733-1593

Tel. (626) 443-2473
Fax (626) 443-9253
info@colelighting.com
www.colelighting.com