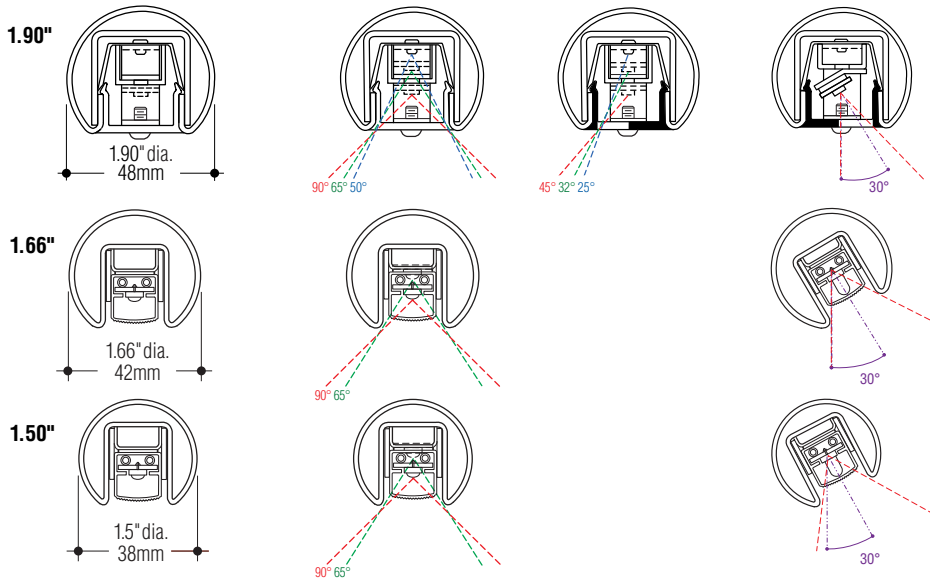


JOB NAME _____

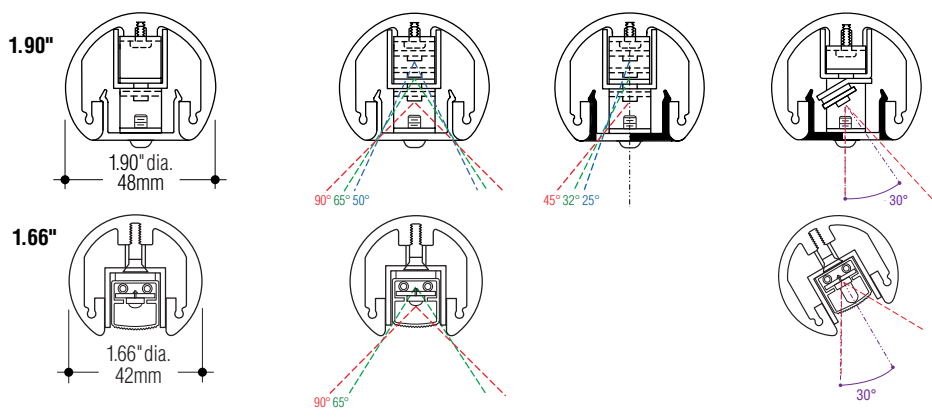
CATALOG NUMBER _____

TYPE _____

Formed Stainless Steel



Extruded Aluminum



Lightrail - LR5

Construction

- Available in extruded aluminum and formed stainless steel with welded and blended joints for a seamless appearance
- A high impact diffuser snaps into place and is further retained by fasteners
- The flat lens design minimizes visible brightness at sides and is available in clear or frosted
- Each rail is tailored to fit existing stairs, ramps, and walkways
- Aluminum rails supplied with a powder coat finish
- Stainless steel rails supplied with a #4 satin finish, passivated for maximum rust resistance
- Post and bracket mounting: 6' max.
- Rail height: 36"
- Diameter of post with integral driver is 2.375" O.D., diameter of post with remote driver matches rail housing choice.

Electrical

- LED modules are 24 VDC constant voltage at 2.5 watts and 205 source lumens per foot. Available in 3000°K or 4100°K color temperatures. Beam spreads in 50°, 65°, and 90° patterns
- LEDs are configured to allow uninterrupted illumination
- Electrical feed locations are pre-determined at time of submittal
- Integral driver located in post; optional remote driver located in enclosure.
- 0-10v dimming driver is available
- dLus listed, suitable for wet locations.

How to Specify

Every Lightrail is custom designed and fabricated to your specific project conditions. Drawings will be submitted on each project requesting specific dimensions to assure proper fit. Plans and elevation drawings are required for pricing and submittal drawing production.

1. Submit catalog number, options, and voltage; (example: LR5P-LED-SS/1.9-INT-RE-277).
2. Add special features and requirements necessary to complete specification.

Catalog Number	Stainless Steel (-SS)	Aluminum (-AL)
Post mounted, integral driver	<input type="checkbox"/> LR5P-LED-SS/* _____-INT	<input type="checkbox"/> LR5P-LED-AL/* _____-INT
Post mounted, remote driver	<input type="checkbox"/> LR5P-LED-SS/* _____-REM	<input type="checkbox"/> LR5P-LED-AL/* _____-REM
Wall mounted, integral driver**	<input type="checkbox"/> LR5W-LED-SS/1.9-INT	<input type="checkbox"/> LR5W-LED-AL/1.9-INT
Wall mounted, remote driver	<input type="checkbox"/> LR5W-LED-SS/* _____-REM	<input type="checkbox"/> LR5W-LED-AL/* _____-REM

* Insert choice of rail diameter after slash, 1.9", 1.66" or 1.5"

** Limited driver capacity allows for only 1.9" rail choice.

Options

Ends: Add suffix. Radius -RE. Loop -LE, Extended Loop -ELE. Miter -ME, Stub -SE.

Baseplate: Nominal 4" diameter or 4" square baseplate + four mounting holes. Add suffix -BP.

Escutcheon: Add suffix -ES.

Frosted lens: (clear diffuser std.). Add suffix -FL.

Curved rail: Consult with factory. Add suffix -CRV.

Emergency battery: Provides up to 90 min. operation (remote only). Add suffix -EM.

Asymmetric distribution: 50% opaque lens (not available on all models).

Add suffix -ASYM.

30° tilt. Add suffix -ASYM/30°

4100°K Color temperature: (3000°K std.).

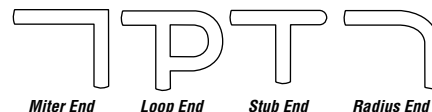
Add suffix -4K.

Color: FWC Turtle compliant, 590 nm, Amber. Add suffix -AMB.

Beam spread: (90° std.). 65°, Add suffix -65. 50°, Add suffix -50. (1.9" rails only)

Dimming: Universal voltage 0-10V driver. Add suffix -DIM.

End Treatments



www.colelighting.com

C.W. Cole & Company, Inc. T: (626) 443-2473
 2560 Rosemead Blvd. F: (626) 443-9253
 South El Monte, CA
 91733-1593