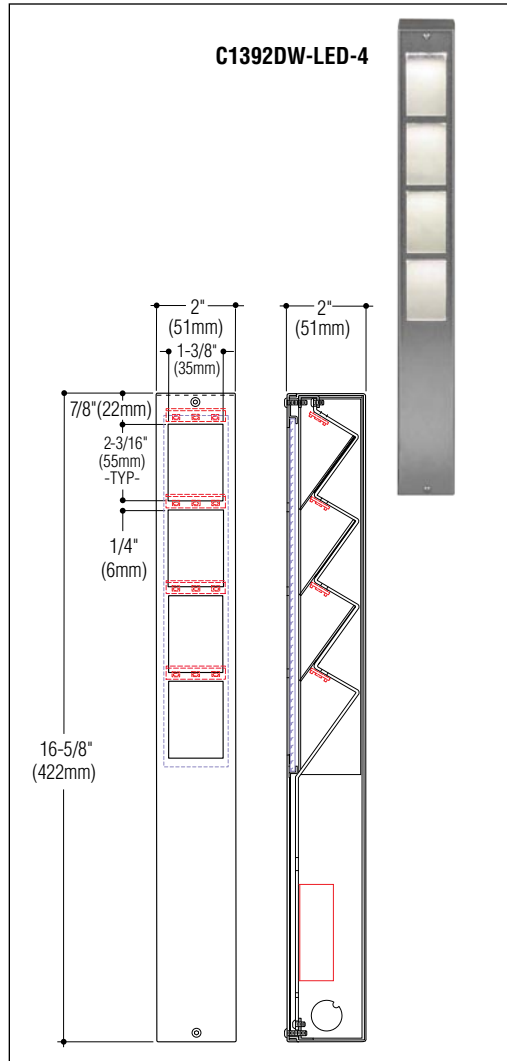
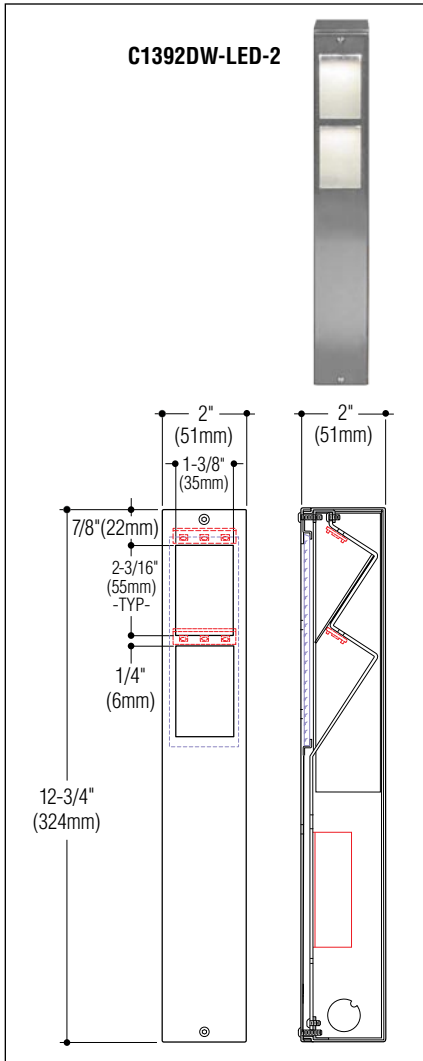


**JOB NAME** \_\_\_\_\_

**Type** \_\_\_\_\_

**CATALOG NUMBER** \_\_\_\_\_

**Steplites**



## C1392D SERIES Railite

### SPECIFICATIONS

#### Construction

- Fixture is constructed from either 20 gauge stainless steel or .050" aluminum
- Aluminum models are powder coated, while stainless steel models are satin finished, passivated for maximum rust resistance
- Faceplates are provided with clear tempered glass diffusers, backed with low-glare matte black baffles
- Tamperproof screws provided
- cETLus listed for use in wet locations.

#### Electrical

- Wired for standard and high performance LEDs
- Integral driver is standard universal voltage; optional 0-10v dimming driver available
- Remote drivers up to 60 watts can be specified to power multiple fixtures. Driver enclosures are available for damp, wet, and submersible applications
- Provided with 1/2" knockout on either side; other locations available upon request.

#### Mounting

Intended for mounting between pairs of vertical support posts via field-drilled mounting holes. Other mounting methods are available on request.

#### How to Specify

Select catalog number and add suffix(s) for desired options.

Catalog Number Lamp	Housing W & D	Housing Length	*OPTIONAL 1/2" KO'S AT BOTTOM
LED 1.5W, (126 lm @ 3000°K; 146 lm @ 4000°K)	<input type="checkbox"/> C1392DW-LED-2	2" x 2"	12 3/4" 1
LED 3.2W, (331 lm @ 3000°K; 346 lm @ 4000°K)	<input type="checkbox"/> C1392DW-LED-2-HO	2" x 2"	12 3/4" 1
LED 3.0W, (252 lm @ 3000°K; 292 lm @ 4000°K)	<input type="checkbox"/> C1392DW-LED-4	2" x 2"	16 5/8" 1
LED 6.4W, (662 lm @ 3000°K; 692lm @ 4000°K)	<input type="checkbox"/> C1392DW-LED-4-HO	2" x 2"	16 5/8" 1

Lumens shown are source. Photometric data available at: <https://www.colelighting.com/photometrics>

#### Options

**Driver:** 277V (Univ. Volt.) Add suffix  -277.

#### Alternate housing dimensions:

Add suffix  -SP/ \_\_\_\_\_ (dimensions).

**Alternate shielding:** Contact factory for options.

Add suffix  -OS.

**Dimming:** 0-10V driver (Univ. Volt.)

Add suffix  -DIM.

**Painted finish:** Custom color (consult factory).

Add suffix  -CC/ \_\_\_\_\_ (color).

**Remote Power Supply:** Suitable for applications where line voltage can not be present. Add suffix  -REM

**Frosted glass diffuser:** Tempered. Add suffix  -FG

**Skytex lens:** enhanced lateral performance.

Add suffix  -ST.

Add suffix  -ST.

**LED color:** 4000K. Add suffix  -4K

Amber 590nm (FWC compliant).

Add suffix  -AMB

**Back Access:** Allows no fasteners. Add suffix  -BA.

**Bottom knockout:** 1/2" knockout at bottom in lieu of standard side knockouts (3" wide housing suitable for two knockouts). Add suffix  -BKO



**C.W. Cole & Company, Inc.**  
2560 Rosemead Boulevard  
South El Monte, CA 91733-1593

Tel. (626) 443-2473

Fax (626) 443-9253

info@colelighting.com

[www.colelighting.com](http://www.colelighting.com)