

JOB NAME _____

Type _____

CATALOG NUMBER _____

Steplites

252 SERIES

SPECIFICATIONS

Construction

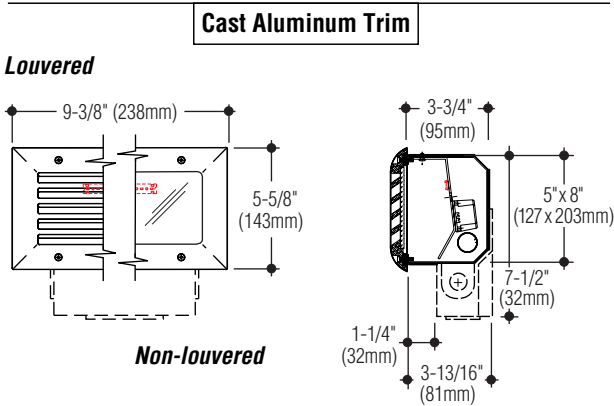
- Housing is constructed from 16 gauge electro-galvanized steel finished with a white polyester coating
- Faceplate is 20 gauge steel with metallic aluminum polyester coating, or 20 gauge satin stainless steel, each are gasketed and retained by stainless steel screws
- Diffuser is frosted tempered glass set in silicene sealant
- Optional junction box is cast aluminum with white polyester coating
- cETLus listed suitable for wet location in any wall construction
- All models are suitable for concrete pour.

Electrical

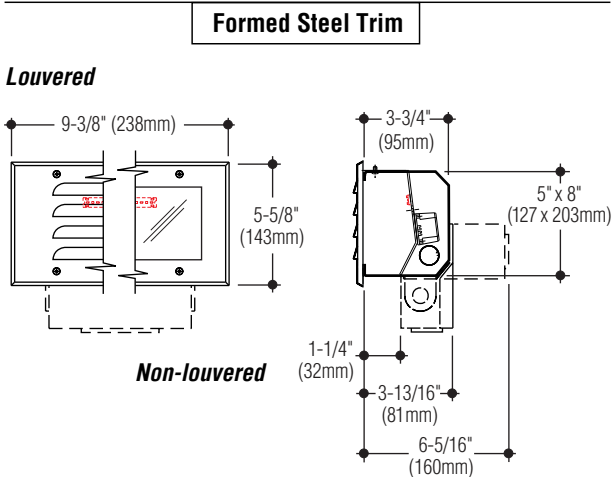
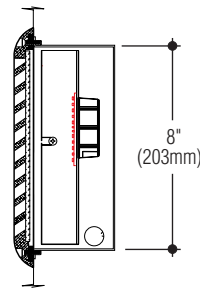
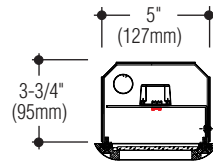
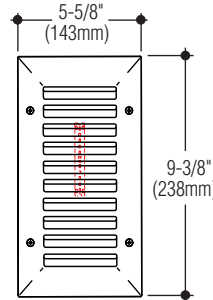
- Fixture is wired with high performance LED modules, or one E26 medium base lamp socket
- Integral driver is standard universal voltage; optional 0-10V dimming driver available
- Housing provided with 1/2" conduit knockout on each side suitable for 4 wire thru-wiring, 2 in and 2 out
- Optional junction box allows 8 wire thru-wiring, 4 in and 4 out. Provided with two 1/2" tapped conduit entrances in the bottom and one 1/2" tapped conduit entrance in each side.

Mounting

Housing has flange with holes for mounting.



Cast Aluminum Vertical Louvered



Catalog Numbers Lamp	Cast aluminum faceplate			Formed steel faceplate	
	Louwer, Hor.	Louwer, Vert.	Non-Louwer	Louwer	Non-Louwer
LED 1.5W, (126 lm @ 3000°K)	<input type="checkbox"/> L252W-L26	<input type="checkbox"/> L252W-L26V	<input type="checkbox"/> L252W-L26G	<input type="checkbox"/> L252W	<input type="checkbox"/> L252GW
LED 3.2W, (331 lm @ 3000°K)	<input type="checkbox"/> L252W-L26-HO	<input type="checkbox"/> L252W-L26V-HO	<input type="checkbox"/> L252W-L26G-HO	<input type="checkbox"/> L252W-HO	<input type="checkbox"/> L252GW-HO
LED 6.4W, (662 lm @ 3000°K)	<input type="checkbox"/> L252W-L26-HO-2	<input type="checkbox"/> L252W-L26V-HO-2	<input type="checkbox"/> L252W-L26G-HO-2	<input type="checkbox"/> L252W-HO-2	<input type="checkbox"/> L252GW-HO-2
One E26 medium base lamp	<input type="checkbox"/> T252W-L26	<input type="checkbox"/> T252W-L26V	<input type="checkbox"/> T252W-L26G	<input type="checkbox"/> T252W	<input type="checkbox"/> T252GW

Lumens shown are source. Photometric data available for Steplites can be downloaded at: <https://www.colelighting.com/photometrics>

Options

Junction box: Bottom or back mounted junction box as required for feed-thru. Add suffix -J.

Cast Bronze faceplate: Satin finish, clear coated. (L26 models) Add suffix -B.

Stainless steel faceplate: Louvered and non louvered. Not available in L26. Add suffix -N.

Tamperproof screws: Socket head faceplate screws. Add suffix -TP.

Opal glass diffuser: Tempered. Add suffix -OPL.

Alternate faceplate color:

Black or white or custom color.
Add suffix -BLK, -WHT or -CC
(Contact factory for custom preference).

LED colors:

4000°K (146 lm), HO (384 lm), HO-2 (768 lm).
Add suffix -4K.

Amber* (FWC compliant, 590nm). Add suffix -AMB.
Blue* Add suffix -BLU.

* Not available in HO-2.

Dimming: Universal voltage 0-10V driver.
Add suffix -DIM.

Emergency battery (4 Watt): Provides up to 90 minutes operation. Add suffix -EM.

How to Specify

1. Select catalog number with desired features.
2. Add suffixes for options required to meet job conditions.



C.W. Cole & Company, Inc.
2560 Rosemead Boulevard
South El Monte, CA 91733-1593

Tel. (626) 443-2473

Fax (626) 443-9253

info@colelighting.com

www.colelighting.com