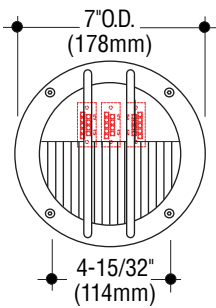
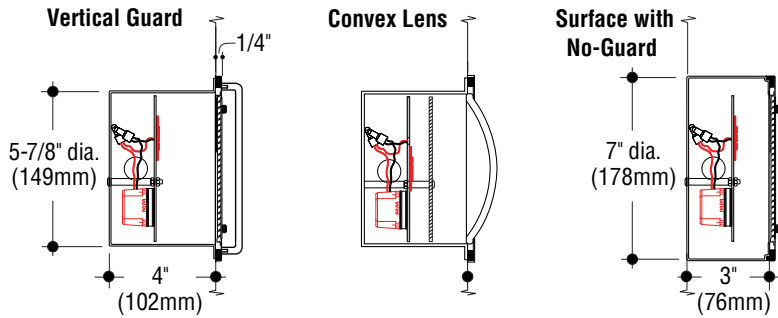


**JOB NAME** \_\_\_\_\_

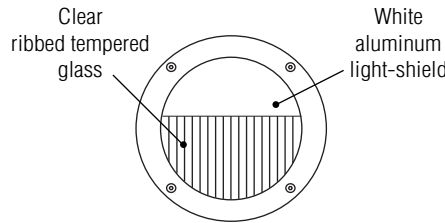
**TYPE** \_\_\_\_\_

**CATALOG NUMBER** \_\_\_\_\_

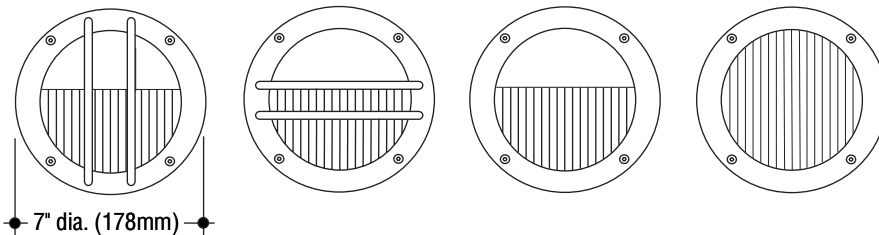
## Steplites



### Flat spread lens featured on 181 and 183



### Lens guard, non-guard and convex



## L180 SERIES

### SPECIFICATIONS

#### Construction

- Housing is spun 16 gauge stainless steel
- Trim is spun 18 gauge satin finished stainless steel, gasketed and retained by four stainless steel tamperproof screws
- Stainless steel face-plates are passivated for superior rust resistance
- Spread lens is vertically ribbed tempered glass set in silicone sealant
- cETLus listed for wet locations in any wall construction
- All models suitable for concrete pour.

#### Electrical

- Fixture is wired with high performance LEDs, available in a variety of colors
- Integral driver is universal voltage; optional 0-10v dimming driver available
- One 1/2" conduit knockout provided on each side of housing. Suitable for 4 wire thru-wiring, 2 in 2 out

#### Mounting

Housing has flange with holes for mounting.

Catalog Number Lamp	Flat spread lens/ Vertical Guard	Flat spread lens/ Horizontal Guard	Flat spread lens/ Without Guard	Convex spread lens
LED 9.45W, (1350 lm @ 3000°K) Surface Housing	<input type="checkbox"/> L181VW <input type="checkbox"/> SL181VW	<input type="checkbox"/> L181HW <input type="checkbox"/> SL181HW	<input type="checkbox"/> L183W <input type="checkbox"/> SL183W	<input type="checkbox"/> L184W <input type="checkbox"/> SL184W

Lumens shown are source.

Photometric data available for Steplites can be downloaded at: <https://www.colelighting.com/photometrics>

### Options

#### Faceplate finishes:

Polished stainless steel trim. Add suffix  -PSS.

Satin brass trim (with stainless steel guard on 181 models). Add suffix  -SBR.

**Brass screws:** Hex-drive brass socket cap screws. Add suffix  -BCS.

**Opal glass diffuser:** Tempered, omits light-shield. Add suffix  -OPL.

**Frosted glass diffuser:** Tempered. Add suffix  -FL.

**Dimming:** Universal voltage, 0-10V driver. Add suffix  -DIM.

#### LED colors:

**4000°K** (1410 lm). Add suffix  -4K.

**Blue** Add suffix  -BLU.

#### Amber:

Amber. Add suffix  -AMB;

Amber 590nm (FWC compliant).

Add suffix  -AMB/590.

#### How to Specify

1. Select catalog number with desired features.
2. Add suffixes for options required to meet job conditions.



**C.W. Cole & Company, Inc.**  
2560 Rosemead Boulevard  
South El Monte, CA 91733-1593

Tel. (626) 443-2473  
Fax (626) 443-9253  
info@colelighting.com  
[www.colelighting.com](http://www.colelighting.com)