

**JOB NAME** \_\_\_\_\_

**Type** \_\_\_\_\_

**CATALOG NUMBER** \_\_\_\_\_

**Steplites**

## 153 SERIES

### SPECIFICATIONS

#### Construction

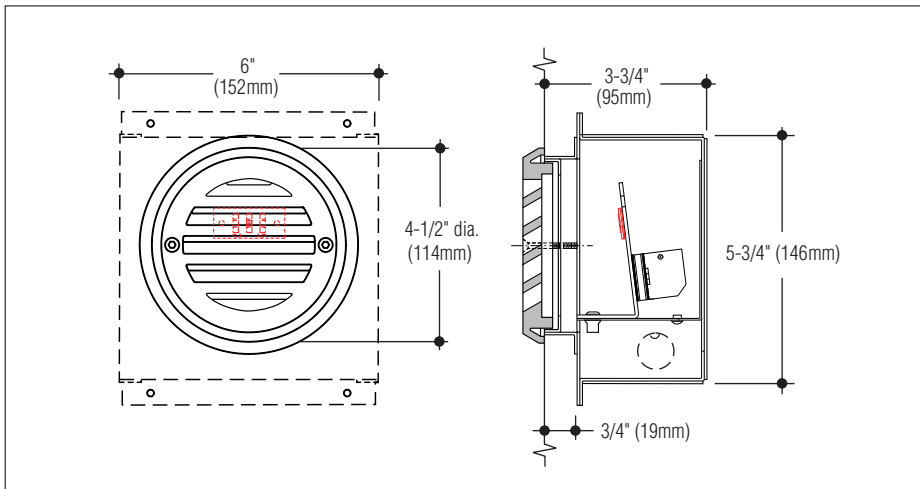
- Fixture housing is constructed from die-formed 16 gauge electro-galvanized steel finished with a white polyester coating
- Faceplate is cast aluminum with metallic aluminum polyester coating, gasketed and retained by stainless steel screws
- Diffuser is frosted tempered glass set in silicone sealant
- cETLus listed, suitable for wet locations in any wall construction
- All models suitable for concrete pour.

#### Electrical

- Fixture is wired with high performance LEDs, and are available in a variety of colors
- Intergral universal voltage driver
- Housing provided with 1/2" conduit knockouts
- Available with ELV dimming; 120V only
- Integral junction box allows 8 wire thru-wiring, 4 in and 4 out. One 1/2" conduit knockout provided on each side of housing.

#### Mounting

Housing has flange with holes for mounting.



#### Catalog Number Lamp

LED 3.15W, (450 lm @ 3000°K)

**L153W**

Lumens shown are source.

Photometric data available for Steplites can be downloaded at: <https://www.colelighting.com/photometrics>

#### Options

**Tamperproof screws:** Socket head faceplate screws. Add suffix  **-TP**.

**Voltage:** 277V ballast. Add suffix  **-277**  
(LED universal voltage standard)

**Dimming:** Universal voltage 0-10V driver.  
Add suffix  **-DIM**.

**Cast Bronze faceplate:** Satin finish, clear coated.  
Add suffix  **-B**.

**Alternate faceplate color:** Black or white.  
Add suffix  **-BLK** or  **-WHT**.

**Opal glass diffuser:** Tempered.  
Add suffix  **-OPL**.

#### LED color:

**4000°K:** (355 lm). Add suffix  **-4K**.

**Amber:** colored LED. Add suffix  **-AMB**.

**Amber 590nm:** colored LED FWC compliant.  
Add suffix  **-AMB/590**

**Blue:** Add suffix  **-BLU**

**Dimming:**  
Universal voltage 0-10V driver.

Add suffix  **-DIM**.

ELV dimming driver (120V only).

Add suffix  **-DIM/ELV**.

#### How to Specify

1. Select catalog number with desired features.
2. Add suffixes for options required to meet job conditions.

**COLE**  
*Lighting*

**C.W. Cole & Company, Inc.**  
2560 Rosemead Boulevard  
South El Monte, CA 91733-1593

Tel. (626) 443-2473  
Fax (626) 443-9253  
info@colelighting.com  
[www.colelighting.com](http://www.colelighting.com)