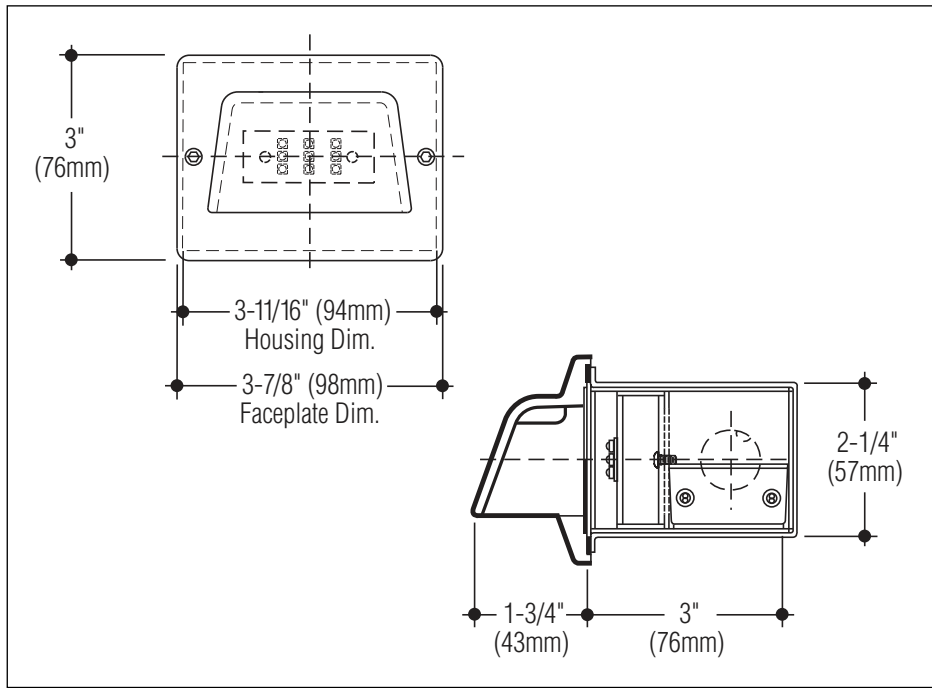


**JOB NAME** \_\_\_\_\_

**TYPE** \_\_\_\_\_

**CATALOG NUMBER** \_\_\_\_\_

**Steplites**



**L141 SERIES**

**Description**

This compact Steplite features a full cutoff, completely eliminating any glare and brightness. Its superior shielding is perfectly suited for use in theaters, lecture halls, and auditoriums. Dimmable LEDs or low-wattage incandescent sources each fulfill the lighting requirement.

**Construction**

- Housing is 16 gauge, electro-galvanized steel suitable for use in concrete pour installation
- Cast aluminum hooded faceplate is finished in black polyester retained by stainless steel screws
- Frosted tempered glass is furnished with LED models
- cETLus listed for use in wet locations, when specified, in any wall construction
- All models suitable for concrete pour.

**Electrical**

- Fixture is wired with high-performance LEDs or low-wattage incandescent
- Integral driver is 120V only and features ELV dimming capability
- Fixture allows 4 wire thru-wiring, 2 in and 2 out. One 1/2" conduit knockout provided on each side of housing .

**Mounting**

Housing has flange with holes for mounting.

**Custom**

If your project demands a special fixture we would be pleased to discuss the production of modified standard fixtures or custom fixtures to suit your specific conditions. For more information on our custom capabilities, please contact your local Cole representative.

**Catalog Number Lamp**

LED 3.15W, (450 lm @ 3000°K)

**L141**

Lumens shown are source.

Photometric data available for L141 can be downloaded at: <https://www.colelighting.com/photometrics>

**Options**

Tamperproof screws: Socket head faceplate screws. Add suffix  **-TP**.

**Weatherproof:** For exterior applications.

Add suffix  **-W**.

**Alternate faceplate color:**

Metallic aluminum, white or custom color.

Add suffix  **-ALU**,  **-WHT**, or  **-CC**,

**Dimming:**

120V only. Add suffix  **-DIM/ELV**

0-10V; remote driver. Add suffix  **-DIM/0-10V**

**LED colors:**

4000°K (470 lm). Add suffix  **-4K**.

Amber. Add suffix  **-AMB**,

Blue. Add suffix  **-BLU**.

**How to Specify**

1. Select catalog number.
2. Add suffixes for options required to meet job conditions.



**C.W. Cole & Company, Inc.**  
 2560 Rosemead Boulevard  
 South El Monte, CA 91733-1593

Tel. (626) 443-2473  
 Fax (626) 443-9253  
 info@colelighting.com  
[www.colelighting.com](http://www.colelighting.com)