

Exterior Applications

SL2153W-626 — Recessed



The SL2153 provides a high aspect ratio for short copy requirements.

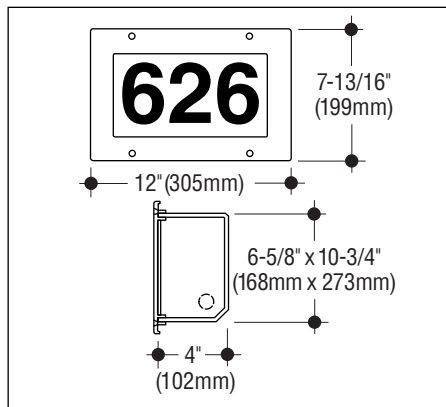
Catalog Number

Lamp

LED modules	SL2153W-*
E26/medium base socket	SL2153W-E26-*
* Add copy requirement	

Options

**Alternate Faceplate Color:** Black or white. Add suffix **-BLK** or **-WHT**.  
**Voltage:** 277V driver, universal voltage. Add suffix **-277**.  
**Bronze Faceplate:** Satin finished. Add suffix **-B**.  
**Tamperproof Screws:** Socket head faceplate screws. Add suffix **-TP**.



Signs

SL2153/SL2156 Series

Specifications

Construction

• SL2153 and SL2156 housings are constructed from 16 gauge electro-galvanized steel and are coated with white polyester powder • Recessed housings are suitable for installation in poured concrete; available surface housings are cast aluminum (SL2156 only) • Faceplates and surface cast housing (SL2156 only) are coated with metallic aluminum polyester powder, gasketed and retained by stainless steel screws • Diffuser is .125" white acrylic set in silicone sealant and retained by stainless steel rails • cULus listed, suitable for wet locations

Graphics

• Graphics are applied onto a white background  
 • Most any graphic style, color, and background can be specified

Electrical

• Wired for either LED modules with integral universal voltage drivers or E26/medium base sockets

Mounting

Housing has flange with holes for mounting.

How to Specify

1. Select catalog number with desired features.
2. Add copy to catalog number, including color and style if there are specific requirements.
3. Add suffixes for options required to meet job conditions.

SL2156W-E26-ENTER — Recessed



The SL2156 series has a low aspect ratio for longer copy requirements.

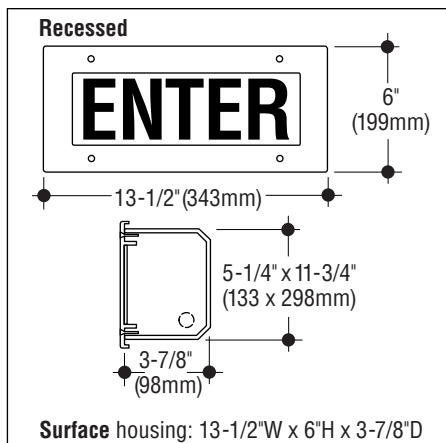
Catalog Number

Lamp

LED modules	SL2156W-*
LED modules	SL2156SW-*
E26/medium base socket	SL2156W-E26-*
* Add copy requirement	

Options

**Alternate Faceplate Color:** Black or white. Add suffix **-BLK** or **-WHT**.  
**Voltage:** 277V driver, universal voltage. Add suffix **-277**.  
**Bronze Faceplate:** Satin finished. Bronze faceplate w/housing (Surface models only) Add suffix **-B**.  
**Tamperproof Screws:** Socket head faceplate screws. Add suffix **-TP**.



SL2156SW-E26-ENTER — Surface



C.W. Cole & Company, Inc.  
 2560 Rosemead Boulevard  
 South El Monte, CA 91733-1593

Tel. (626) 443-2473  
 Fax (626) 443-9253  
 info@colelighting.com  
[www.colelighting.com](http://www.colelighting.com)