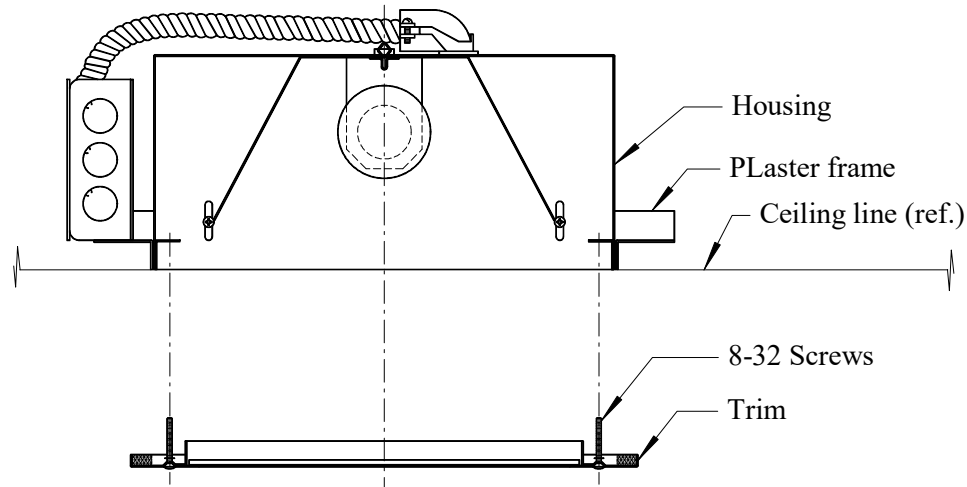
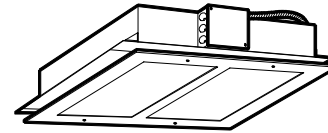


Installation Instruction Sheet

PH810-PB SERIES



INSTALLATION INSTRUCTIONS

1. Install plaster frame in ceiling and connect supply wiring to junction box.
2. Pull fixture wiring through flex conduit and connect flex conduit to wiring.
3. Connect flex conduit to junction box on plaster frame and splice fixture wiring to supply wires.
4. Install housing in plaster frame, flush with ceiling and retain with two screws at each end.
5. Install lamps (by E.C.) in sockets according to wattage limitations indicated in each compartment.
6. Pass wire drop hinges through slots in housing angles with open end downward.
7. Squeeze drop hinges and insert into bracket holes provided on trim.
8. Retain trim against bottom of fixture with 8-32 screws provided.

Note: If fixture is provided with distributing lens (-DL) in lieu of safelite filter in one compartment, be sure the lens is installed below the compartment marked for 150 watt lamp. Safelite filters are only to be below compartments marked for lamps of 15 watt maximum.

NOTE:

"THIS PRODUCT MUST BE INSTALLED IN ACCORDANCE WITH THE APPLICABLE INSTALLATION CODE BY A PERSON FAMILIAR WITH THE CONSTRUCTION AND OPERATION OF THE PRODUCT AND THE HAZARDS INVOLVED".

REVISIONS

REVISIONS

COLE
lighting

2560 N. Rosemead Blvd. So. El Monte, CA 91733 . (626) 443-2473 . Fax: (626) 443-9253