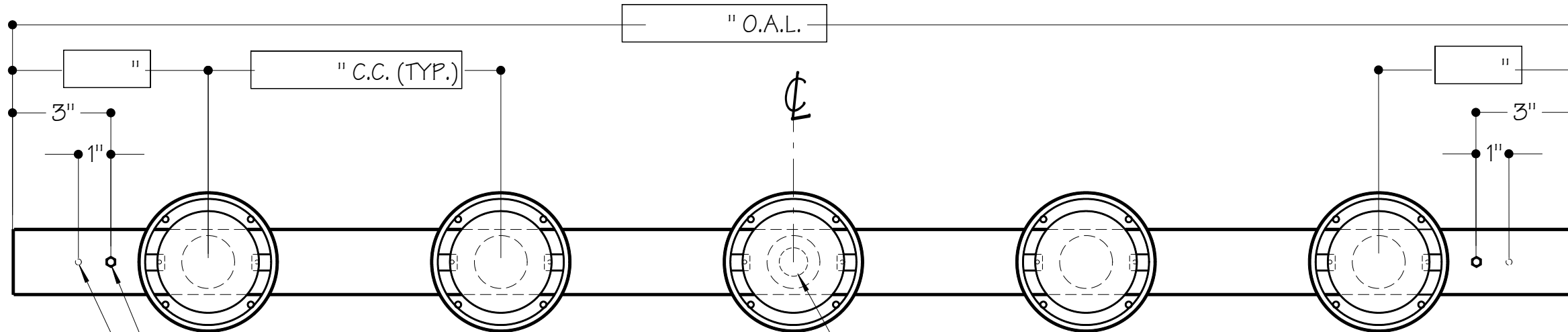
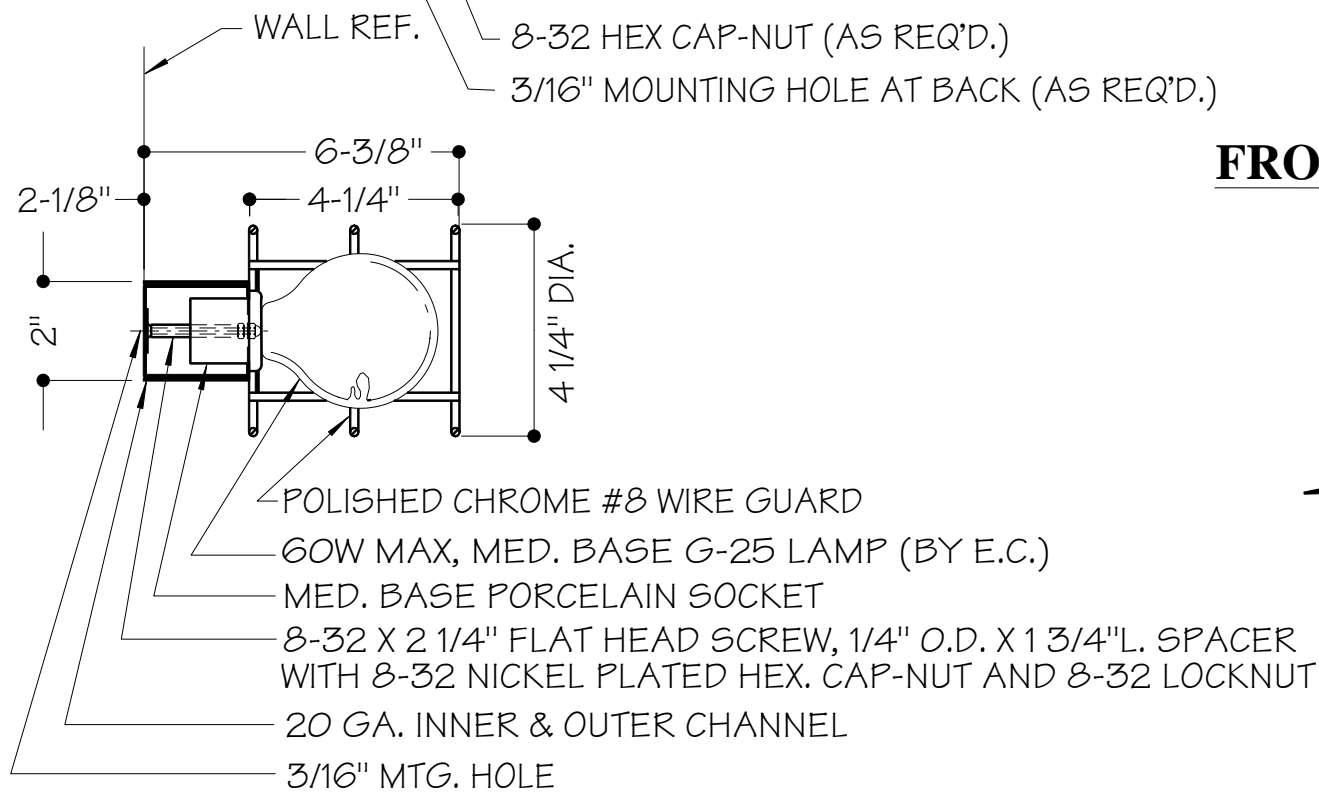


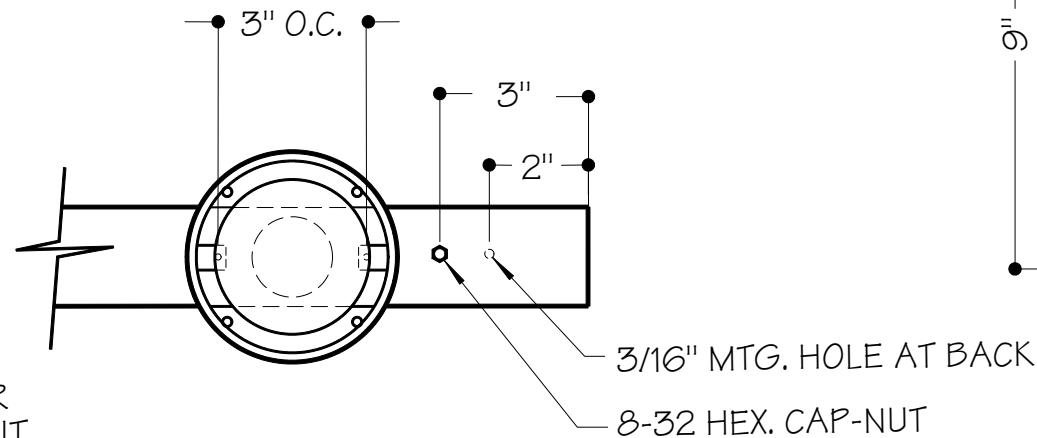
# K2412-VS-IS



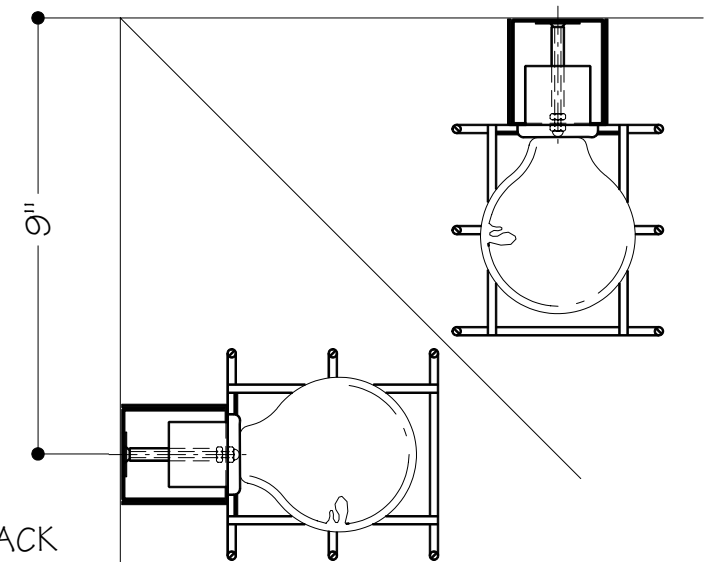
**FRONT ELEVATION**



**SECTION VIEW (TYPICAL)**



**END DETAIL (TYPICAL)**



**CORNER DETAIL**

## STEPS

- 1 ASSURE THAT ALL ELECTRICAL POWER IS TURN OFF TO FIXTURE.
- 2 REMOVE OUTER CHANNEL FROM INNER CHANNEL.
- 3 MOUNT INNER CHANNEL TO WALL SURFACE WITH MOUNTING SCREW BY OTHERS.
- 4 MAKE WIRE CONNECTIONS FROM OUTER CHANNEL TO SUPPLY WIRES.
- 5 MOUNT OUTER CHANNEL TO INNER CHANNEL USING 8-32 HEX CAP NUTS.
- 6 MAKE CERTAIN WIRES STAY WITHIN INNER CHANNEL WHEN INSTALLING OUTER CHANNEL.
- 7 INSTALL LAMPS. (BY OTHERS)
- 8 TURN ON POWER TO FIXTURE.

# VS STRIP INSTALLATION

INFORMATION AND DESIGNS HEREON ARE PROPRIETARY AND CONFIDENTIAL. THEY MAY NOT BE USED OR REPRODUCED WITHOUT THE EXPRESSED PERMISSION OF C.W. COLE & CO. INC.

|  |   |                  |                    |                  |                    |                                  |  |
|--|---|------------------|--------------------|------------------|--------------------|----------------------------------|--|
| <b>COLE</b><br>Lighting<br>LIGHTING SINCE 1911 | C.W. COLE & CO., INC. 2560 N. ROSEMEAD BLVD., SOUTH EL MONTE, CA. 91733-1593 www.colelighting.com • (626) 443-2473 • FAX (626) 443-9253 |                  |                    |                  | 1-28-13 E.V.       |                                  |  |
|  | <b>VS MIRROR LIGHT</b>  |                  |                    |                  |                    |                                  |  |
|  |   |                  |                    |                  |                    |                                  |  |
|  | DRAWN BY<br>DTW   | DATE<br>10-24-12 | CHECKED BY<br>D.W. | DATE<br>10-24-12 | SCALE<br>1/4" = 1" | DRAWING No<br><b>K2412-VS-IS</b> |  |