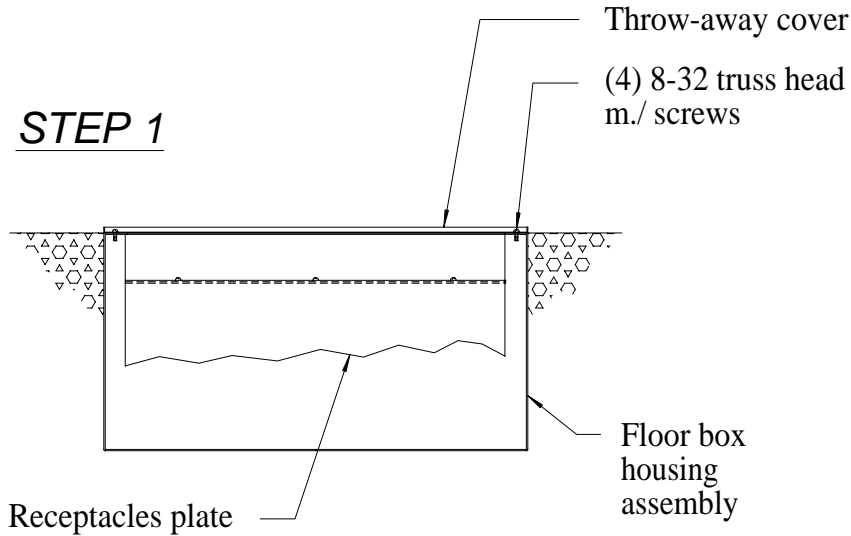


Installation Instruction Sheet

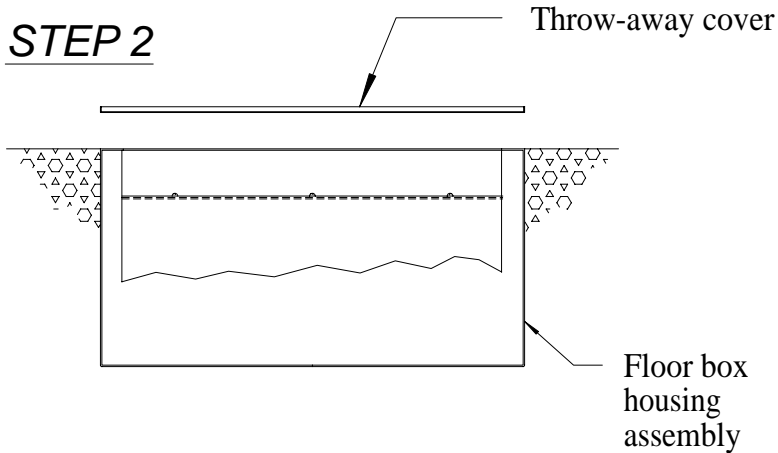
TLS-370

STEP 1



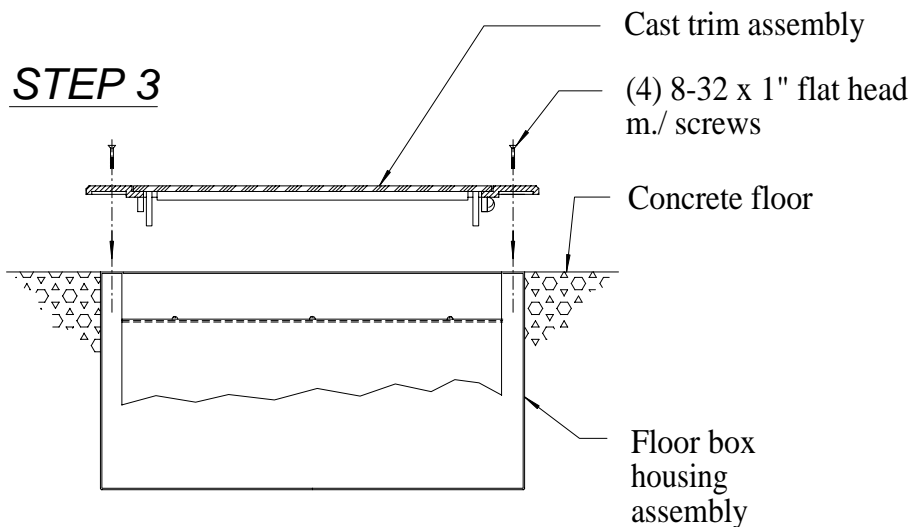
Remove throw-away cover.
Set floor box housing in position for concrete pour.
Remove receptacles plate, run feed wires and connect conduits.
Reinstall throw-away cover, level with finish concrete surface.
Sides of throw-away cover should be treated for easy removal after concrete has hardened.
Pour concrete.

STEP 2



When concrete is fully set, remove and discard throw-away cover, (4) 8-32 truss head m./ screws.

STEP 3



Insert Cast Trim assembly to Housing. Install (4) 8-32 x 1" flat head m./ screws to secure it in place.

NOTE:

* THIS PRODUCT MUST BE INSTALLED IN ACCORDANCE WITH THE APPLICABLE INSTALLATION CODE BY A PERSON FAMILIAR WITH THE CONSTRUCTION AND OPERATION OF THE PRODUCT AND THE HAZARDS INVOLVED.

* CONTACT WITH ACID-WASH OF ANY TYPE TO ANY SURFACE OF STEPLIGHT WILL / MAY VOID WARRANTY.

* RECESSED HOUSING NOT SEALED FROM MOISTURE. PROTECTION MUST BE PROVIDED TO PREVENT WATER FROM ENTERING HOUSING.

REVISIONS

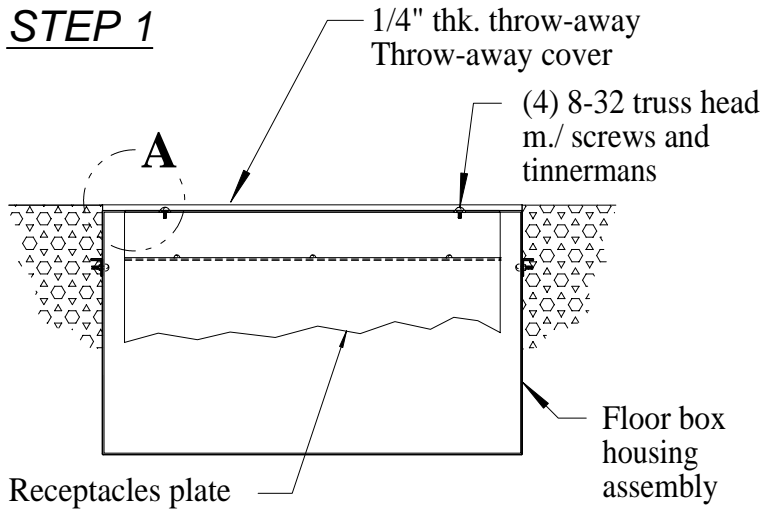
11/03
11-20-03
1-28-13 E.V.

COLE
Lighting

Installation Instruction Sheet

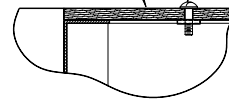
TLS-370-CS

STEP 1



1/4" thk. wood
throw-away cover

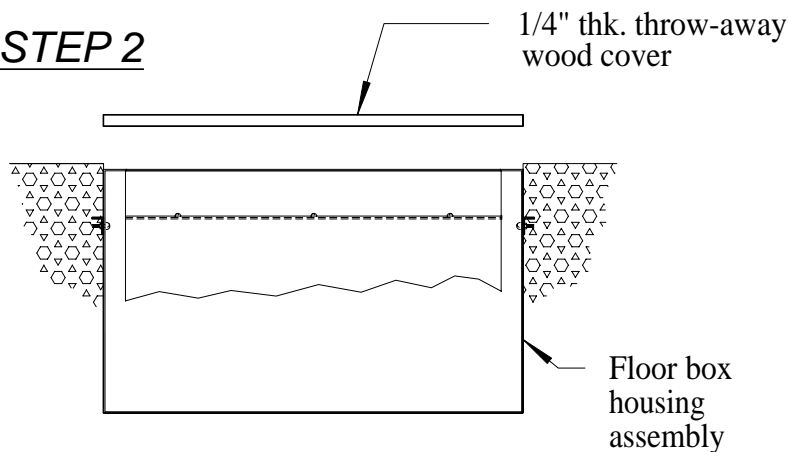
8-32 truss head
m./ screw



DETAIL "A"

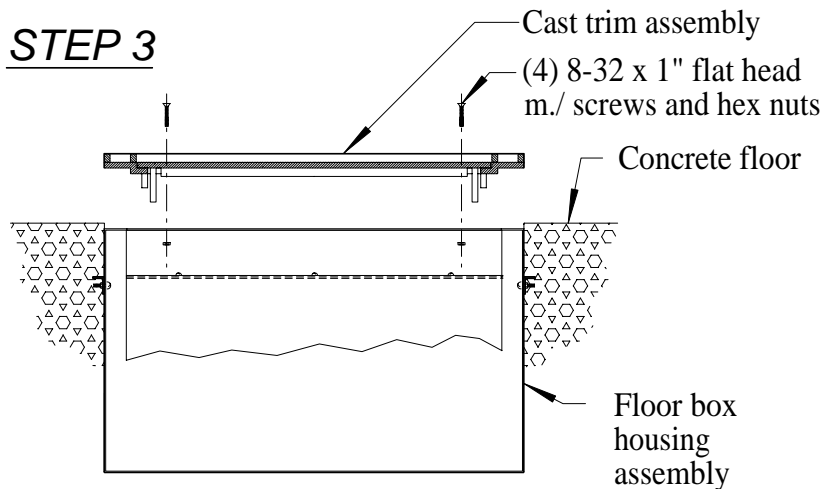
Remove throw-away cover.
Set floor box housing in position
for concrete pour.
Remove pre-cast plates, run feed
wires, and connect conduits.
Reinstall throw-away cover and level
top of cover with finish concrete surface.
Sides of throw-away cover should be
treated for easy removal after
concrete has hardened.
Pour concrete.

STEP 2



When concrete is fully set, remove
and discard throw-away cover, (4)
8-32 truss head m./ screws, and
tinnermans.

STEP 3



Insert Cast Trim assembly
to Housing. Install (4)
8-32 x 1" flat head m./ screws
with hex nuts to secure it in place.

NOTE:

* THIS PRODUCT MUST BE INSTALLED IN ACCORDANCE WITH THE APPLICABLE
INSTALLATION CODE BY A PERSON FAMILIAR WITH THE CONSTRUCTION
AND OPERATION OF THE PRODUCT AND THE HAZARDS INVOLVED.

* CONTACT WITH ACID-WASH OF ANY TYPE TO ANY SURFACE OF STEPLIGHT
WILL / MAY VOID WARRANTY.

* RECESSED HOUSING NOT SEALED FROM MOISTURE. PROTECTION MUST BE
PROVIDED TO PREVENT WATER FROM ENTERING HOUSING.

REVISIONS

11/03
11-20-03
1-28-13 E.V.

COLE
Lighting