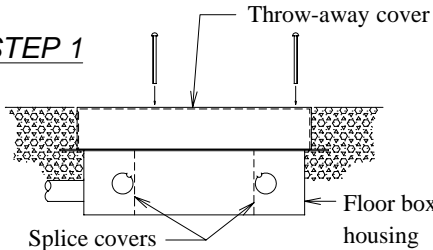


Installation Instruction Sheet

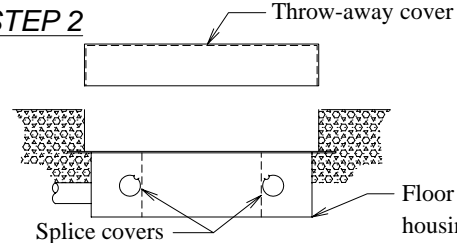
TLR SERIES FLOORBOX

STEP 1



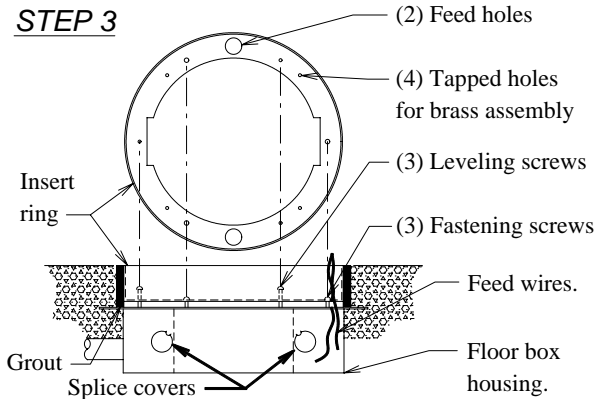
Set floor box housing in position for concrete pour and remove splice cover. Run feed wires and connect conduit. Install throw-away cover. Level with finish concrete surface, and pour concrete. Sides of throw-away cover should be treated for easy removal after concrete has hardened. Note: Axis of rotation of cast brass assembly will be parallel to the 11" dimension of floor box housing.

STEP 2



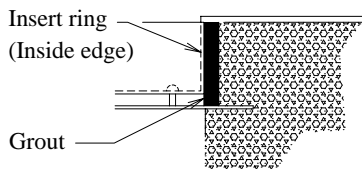
When concrete is fully set, remove and discard throw-away cover.

STEP 3



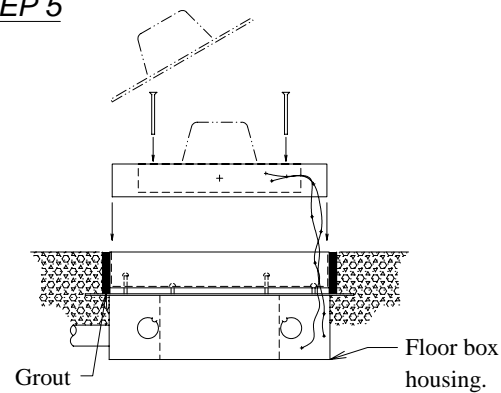
Install insert ring and level to concrete surface via leveling screws. Then install three fastening screws, when desired level is met. Finally, dry-pack (grout) around insert ring, securing ring in final position. Run feed wires through floor box housing and through insert ring. Reinstall splice cover.

STEP 4



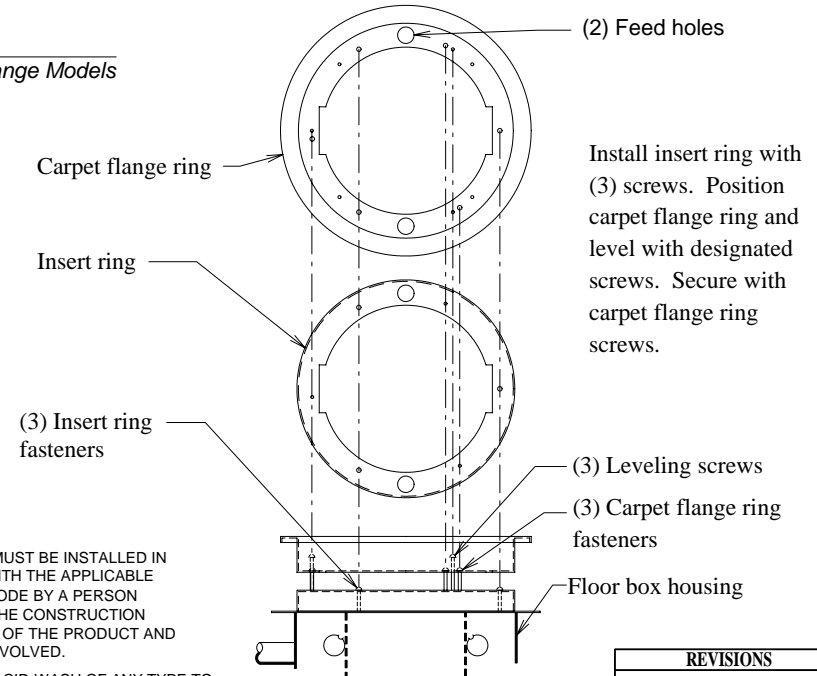
Instruct floor contractor to trim tile to inside edge of insert ring, leaving smooth, circular opening. Access to wiring compartments in floor box housing is through this opening.

STEP 5



Use key to unlock rotating receptacle assembly. Rotate 180° to expose receptacle. Remove (2) screws to uncover receptacle plate. As outer brass casting frame is positioned in place for mounting, pull wires through taut to avoid pinching of wires when outer casting is fastened in place or receptacle assembly is rotated. Fasten outer casting with (4) 8-32 FHMS. Replace receptacle plate with (2) 8-32 FHMS.

STEP 3 For Carpet Flange Models



Install insert ring with (3) screws. Position carpet flange ring and level with designated screws. Secure with carpet flange ring screws.

NOTE:

* THIS PRODUCT MUST BE INSTALLED IN ACCORDANCE WITH THE APPLICABLE INSTALLATION CODE BY A PERSON FAMILIAR WITH THE CONSTRUCTION AND OPERATION OF THE PRODUCT AND THE HAZARDS INVOLVED.

* CONTACT WITH ACID-WASH OF ANY TYPE TO ANY SURFACE OF STEPLIGHT WILL/MAY VOID WARRANTY.

* RECESSED HOUSING NOT SEALED FROM MOISTURE. PROTECTION MUST BE PROVIDED TO PREVENT WATER FROM ENTERING HOUSING.

2560 N. Rosemead Blvd. So. El Monte, CA 91733 . (626) 443-2473 . Fax: (626) 443-9253

REVISIONS
10/03
11-20-03
COLE <i>Lighting</i>