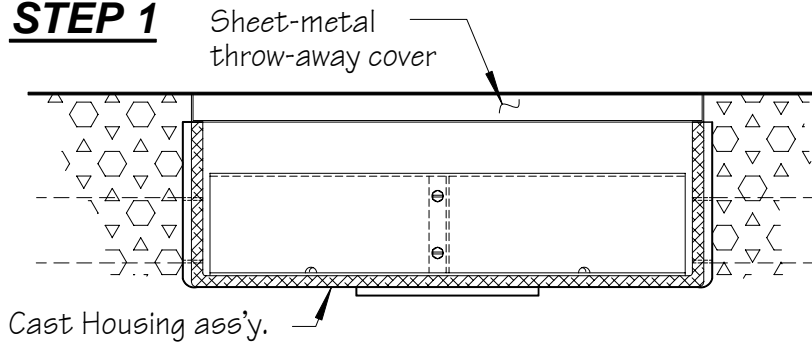


Installation Instruction Sheet

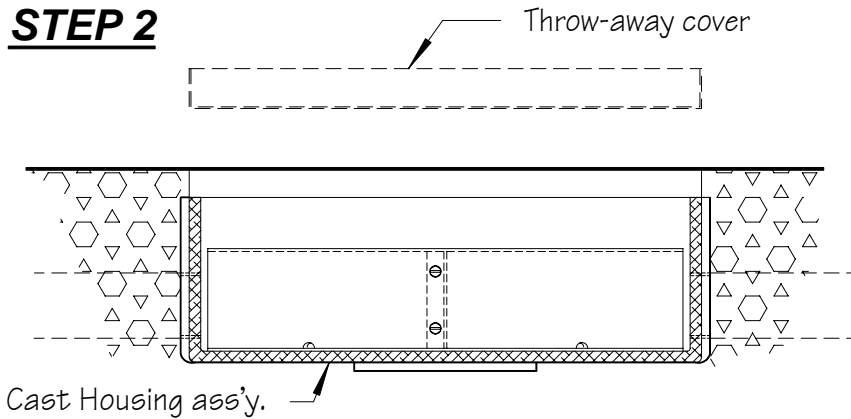
Catalog No.: TLA-362 & TLA-364

STEP 1



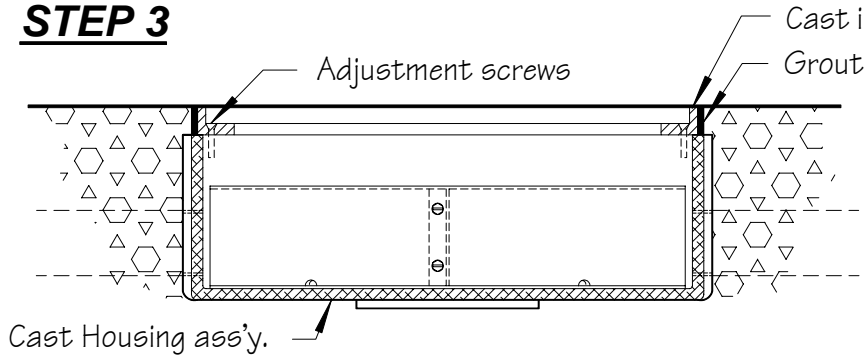
Set housing in position for concrete pour with conduit connected & with THROW-AWAY COVER ATTACHED. Throw-away cover must be flush (level) with finished concrete surface. Sides of cover should be suitably treated to facilitate removal after concrete is set.

STEP 2



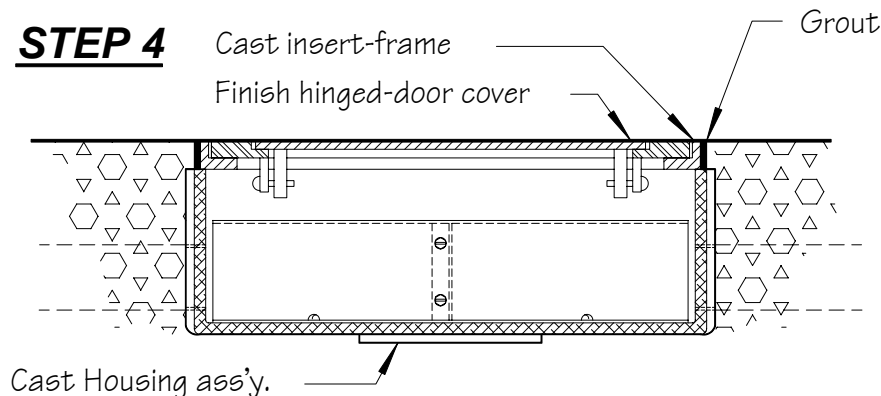
When concrete is fully set, remove and discard the throw-away cover.

STEP 3



Install cast insert-frame and level to finished concrete surface by means of adjustment screws. Grout all around, securing insert-frame in final position to receive cover.

STEP 4



Full branch-circuit wiring into housing, connect to devices mounted on interior panel, & secure finish hinged-door cover in place with flat head screws provided.

NOTE:

- * THIS PRODUCT MUST BE INSTALLED IN ACCORDANCE WITH THE APPLICABLE INSTALLATION CODE BY A PERSON FAMILIAR WITH THE CONSTRUCTION AND OPERATION OF THE PRODUCT AND THE HAZARDS INVOLVED.
- * CONTACT WITH ACID-WASH OF ANY TYPE TO ANY SURFACE OF STEPLIGHT WILL/MAY VOID WARRANTY.
- * RECESSED HOUSING NOT SEALED FROM MOISTURE. PROTECTION MUST BE PROVIDED TO PREVENT WATER FROM ENTERING HOUSING.