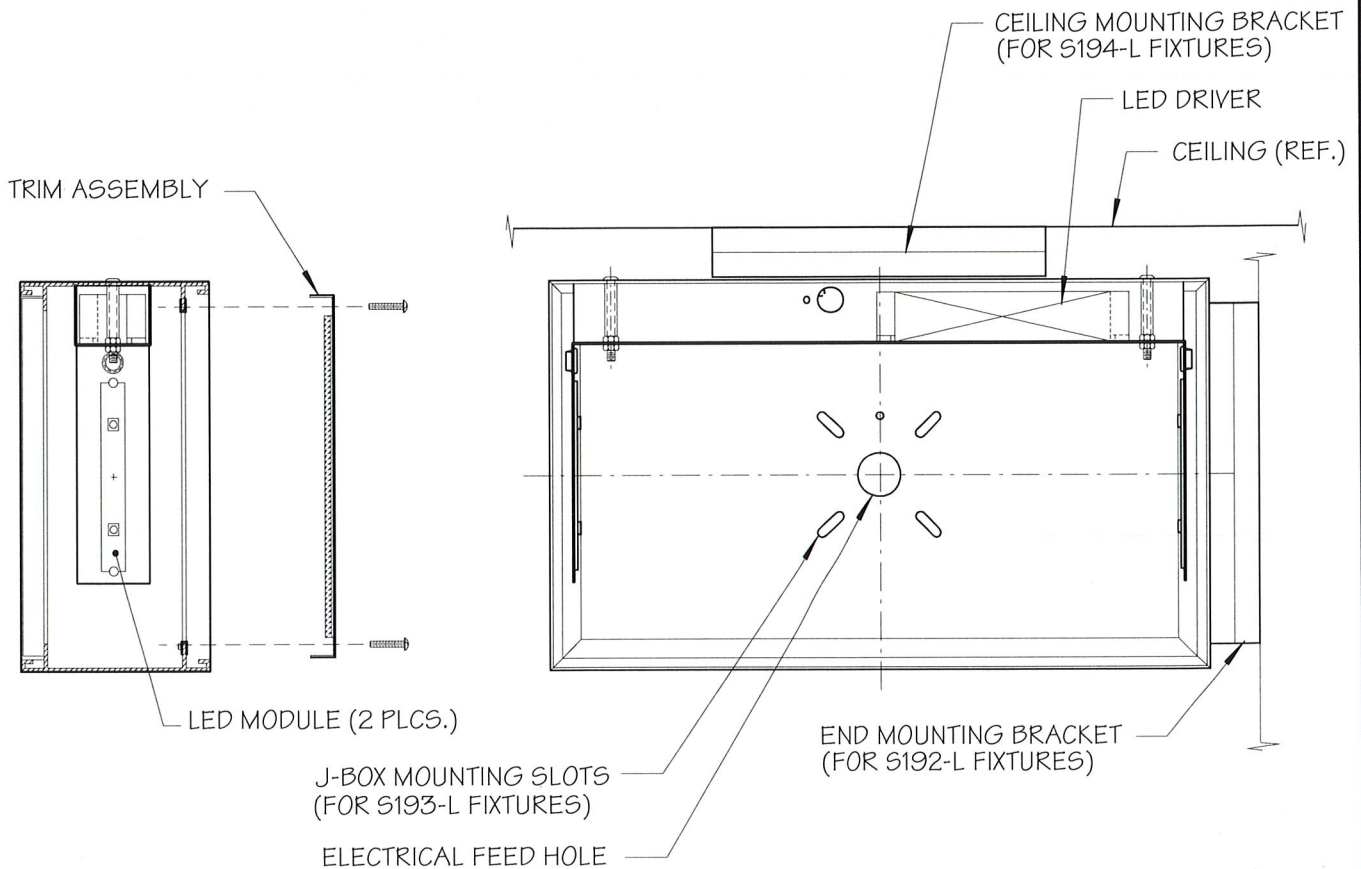


# Installation Instruction Sheet

## S192-L/S292-L (END MOUNT), S193-L/S293-L (BACK MOUNT) & S194-L/S294-L (CEILING MOUNT) SERIES SIGN



### Step 1

Turn Off Electrical Power to Fixture. Remove trim assembly. Bring supply wire through desired entrance. Using mounting holes on housing back, or side / top bracket (depending on mtg. option ordered) attach directly to j-box.

### Step 2

Splice supply wires with lead wires of wired channel. Replace wire channel and fasten in place. Mount finished trim to housing using factory supplied stainless steel 8-32 x 3/4" screws.

#### **NOTE:**

"THIS PRODUCT MUST BE INSTALLED IN ACCORDANCE WITH THE APPLICABLE INSTALLATION CODE BY A PERSON FAMILIAR WITH THE CONSTRUCTION AND OPERATION OF THE PRODUCT AND THE HAZARDS INVOLVED".