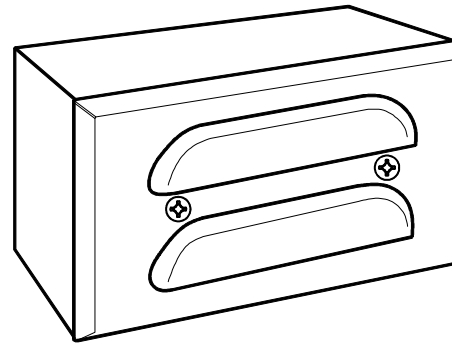
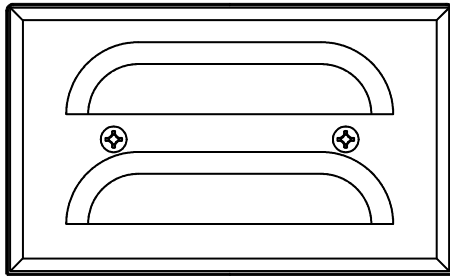


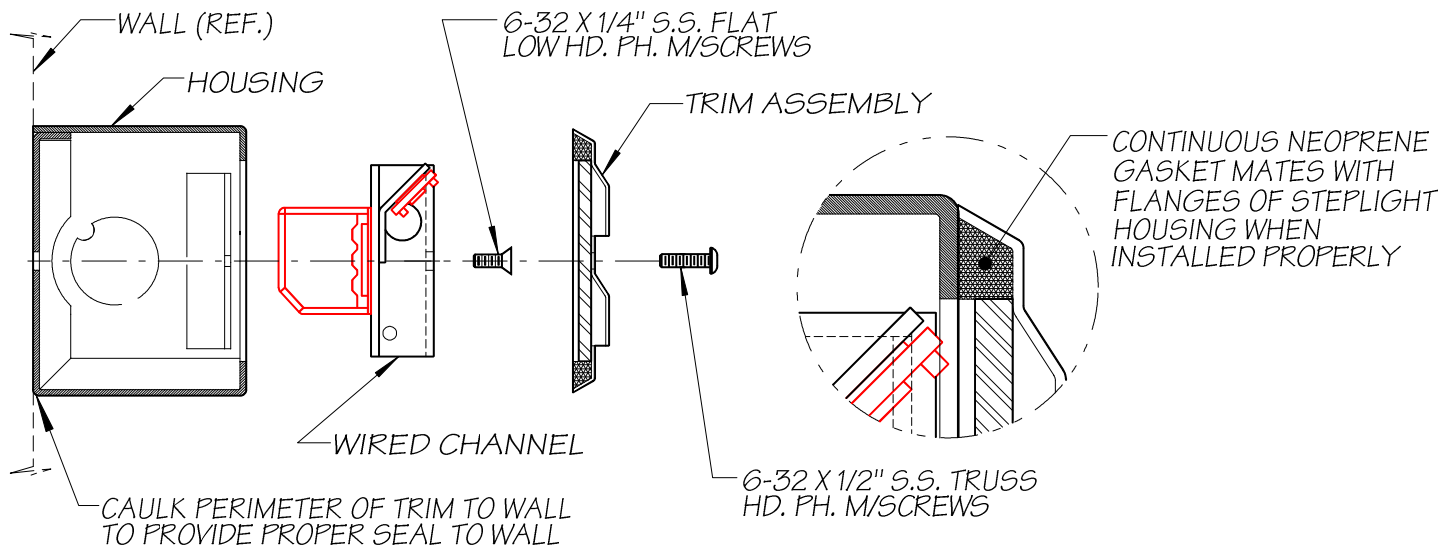
Installation Instruction Sheet

SL150H - Surface mount



STEP 1

Remove wired channel assembly. Bring supply wire through desired conduit entrance. Using (2) mounting holes in back of housing, install surface mount housing to wall (suitable for damp locations).



STEP 2

Ensure that power to unit is off. Splice supply wires to lead wires from wired channel. Replace wired channel and fasten in place. Mount finished trim to housing using factory supplied (2) 6-32 X 1/2" stainless steel truss head screws ensuring gasket is in place for proper seal.

NOTE:

- * THIS PRODUCT MUST BE INSTALLED IN ACCORDANCE WITH THE APPLICABLE INSTALLATION CODE BY A PERSON FAMILIAR WITH THE CONSTRUCTION AND OPERATION OF THE PRODUCT AND THE HAZARDS INVOLVED.
- * CONTACT WITH ACID-WASH OF ANY TYPE TO ANY SURFACE OF STEPLIGHT WILL/MAY VOID WARRANTY.
- * RECESSED HOUSING NOT SEALED FROM MOISTURE THROUGH WALL. IF NECESSARY, PROTECTION MUST BE PROVIDED TO PREVENT WATER FROM ENTERING HOUSING INSIDE OF WALL.

