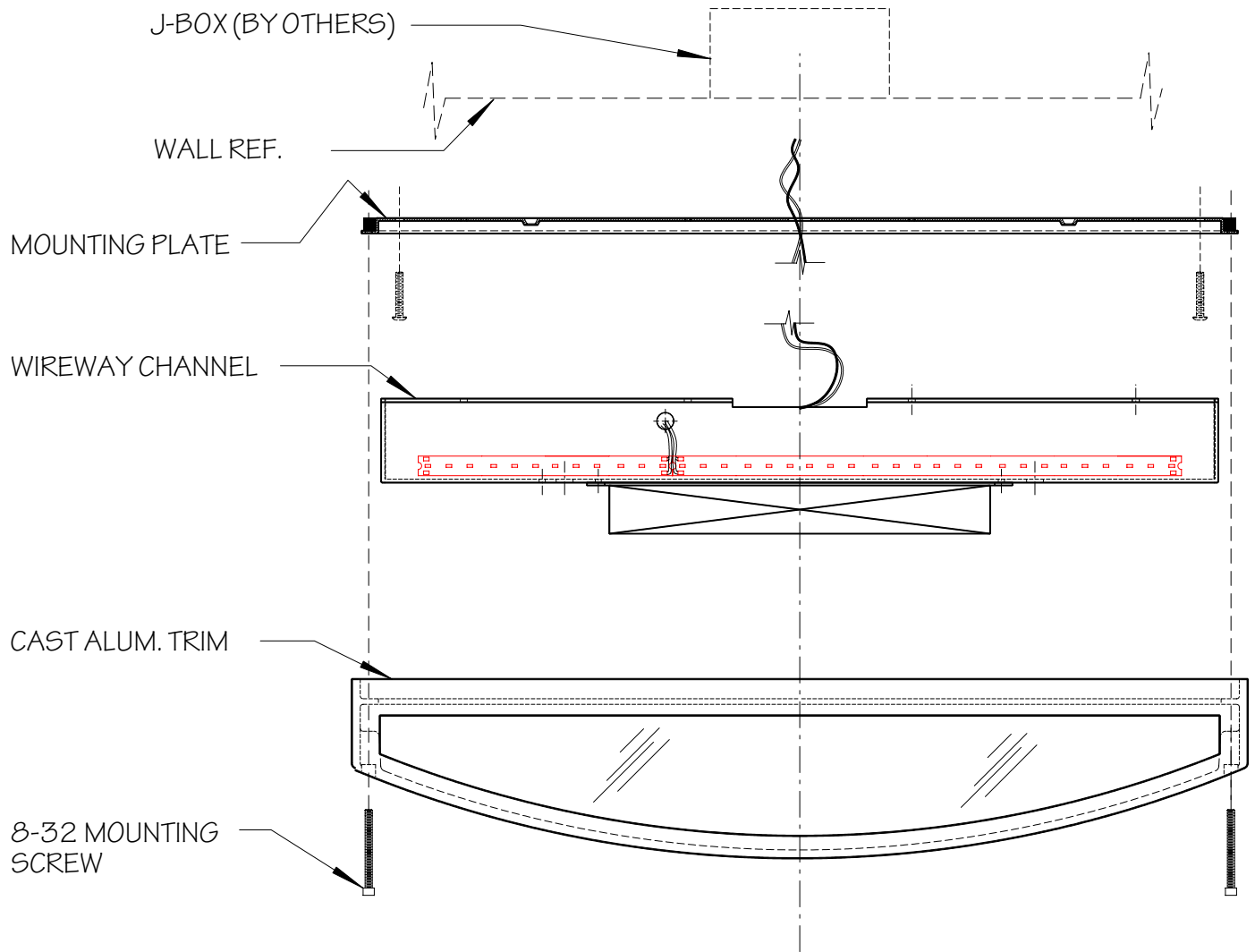


# INSTALLATION INSTRUCTION SHEET

## L2600 SERIES FANNYPACK



### **INSTRUCTIONS**

- 1) FASTEN MOUNTING PLATE TO WALL.
- 2) CAULK PERIMETER OF MOUNTING PLATE FOR WATER TIGHT SEAL.
- 3) MAKE ELECTRICAL WIRE CONNECTION TO FIXTURE AND FASTEN WIREWAY CHANNEL TO MOUNTING PLATE WITH (8) 6-32 X 1/4" MOUNTING SCREWS
- 4) ATTACH TRIM OVER FIXTURE AND FASTEN IN PLACE WITH (4) 8-32 MOUNTING SCREWS.
- 5) CAULK PERIMETER OF TRIM TO WALL TO PROVIDE PROPER SEAL TO WALL.

### **NOTE:**

- \* THIS PRODUCT MUST BE INSTALLED IN ACCORDANCE WITH THE APPLICABLE INSTALLATION CODE BY A PERSON FAMILIAR WITH THE CONSTRUCTION AND OPERATION OF THE PRODUCT AND THE HAZARDS INVOLVED.
- \* CONTACT WITH ACID-WASH OF ANY TYPE TO ANY SURFACE OF STEPLIGHT WILL/MAY VOID WARRANTY.
- \* RECESSED HOUSING NOT SEALED FROM MOISTURE. PROTECTION MUST BE PROVIDED TO PREVENT WATER FROM ENTERING HOUSING.