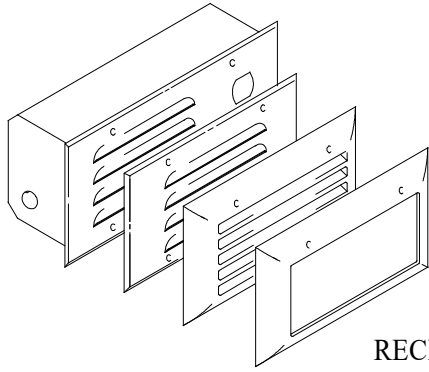
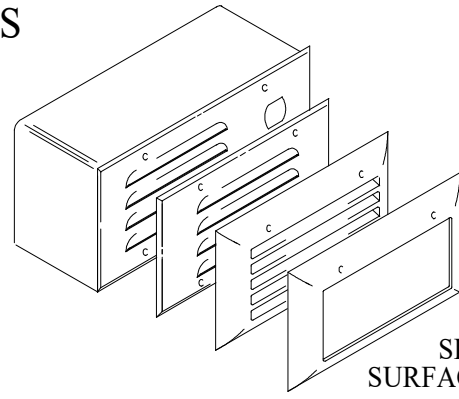


# Installation Instruction Sheet

## L252 SERIES



L252  
RECESSED SERIES



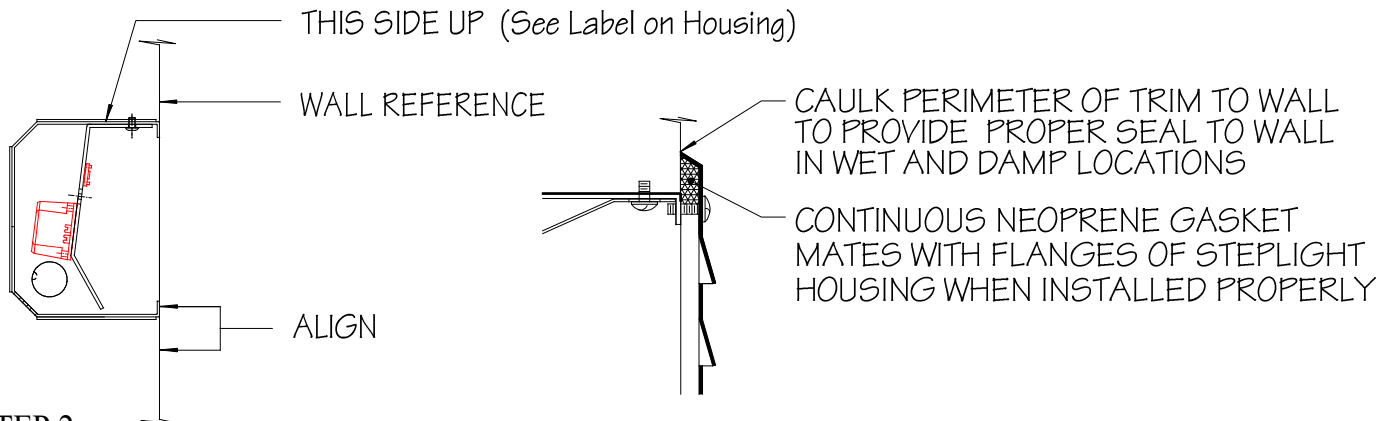
SL252  
SURFACE SERIES

### STEP 1 (Recess Mount)

Mount Housing to form or cavity in wall - Note: THIS SIDE UP label for proper orientation. Remove wired channel. Bring supply wire through liquid tight connector (by others) into desired entrance. Using mounting holes on housing flange, install 16 ga. steel housing (suitable for concrete pour) into wall ensuring that front of housing aligns with finished wall surface. Alignment of the two ensures proper weather seal. (*Caulk perimeter of housing to ensure proper seal to wall in wet and damp locations.*)

### STEP 1 (Surface Mount)

Mount Housing to wall (mounting surface) - Note: THIS SIDE UP label for proper orientation. Remove wired channel. Bring supply wire through desired entrance. Using mounting holes in back of housing, install surface mount housing to wall / mounting surface.



### STEP 2

Ensure that power to unit is off. Splice supply wires with lead wires of wired channel. Replace wire channel and fasten in place. Mount finished trim to housing using (4) 8-32 screws provided.

#### NOTE:

- \* THIS PRODUCT MUST BE INSTALLED IN ACCORDANCE WITH THE APPLICABLE INSTALLATION CODE BY A PERSON FAMILIAR WITH THE CONSTRUCTION AND OPERATION OF THE PRODUCT AND THE HAZARDS INVOLVED.
- \* CONTACT WITH ACID-WASH OF ANY TYPE TO ANY SURFACE OF STEPLIGHT WILL/MAY VOID WARRANTY.
- \* RECESSED HOUSING NOT SEALED FROM MOISTURE THROUGH WALL. IF NECESSARY, PROTECTION MUST BE PROVIDED TO PREVENT WATER FROM ENTERING HOUSING INSIDE OF WALL.

