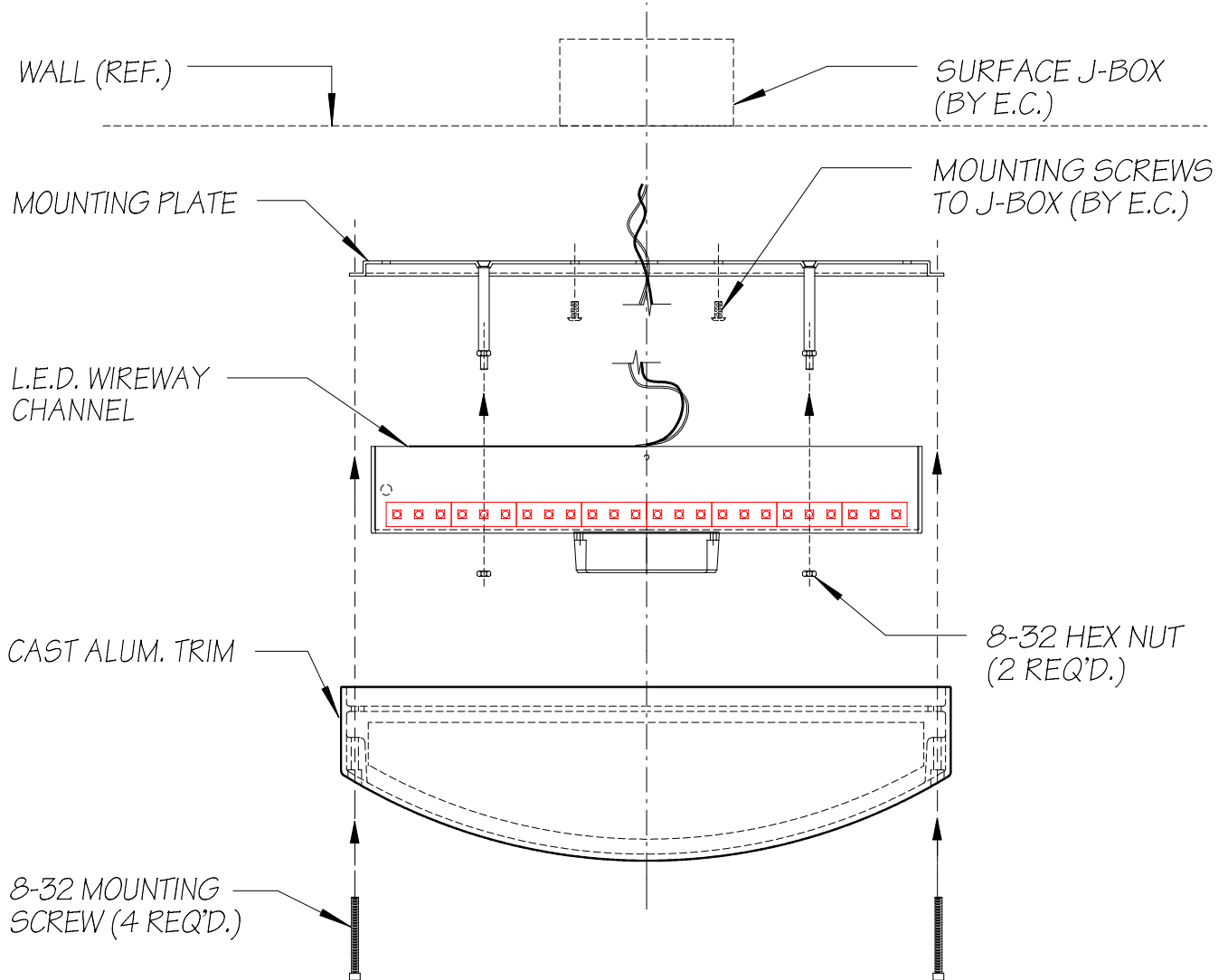


INSTALLATION INSTRUCTION SHEET

CAT. # L2500 L.E.D. FANNYPACK



INSTRUCTION STEPS:

STEP 1) FASTEN MOUNTING PLATE TO SURFACE JUNCTION BOX.

STEP 2) MAKE ELECTRICAL WIRE CONNECTION TO FIXTURE AND FASTEN L.E.D. WIREWAY CHANNEL TO MOUNTING PLATE.

STEP 3) ATTACH TRIM OVER FIXTURE AND FASTEN IN PLACE WITH (4) 8-32 MOUNTING SCREWS.

NOTE:

* THIS PRODUCT MUST BE INSTALLED IN ACCORDANCE WITH THE APPLICABLE INSTALLATION CODE BY A PERSON FAMILIAR WITH THE CONSTRUCTION AND OPERATION OF THE PRODUCT AND THE HAZARDS INVOLVED.

* CONTACT WITH ACID-WASH OF ANY TYPE TO ANY SURFACE OF STEPLIGHT WILL/MAY VOID WARRANTY.