

LED Steplites

L603
4" x 5"

L606
4" x 8"

L609
4" x 11"

L612
4" x 14"

L600 SERIES

This directional Steplite features high performance LEDs. Its unique optical design provides impressive forward-throw while eliminating any visible light above horizontal. The rugged construction, engineering excellence, and quality make this fixture ideal for specification in most public areas.

Choices of powder coated aluminum or brushed stainless steel faceplates provide a sleek and modern appearance. Three LED positions available for a choice of cutoff. Integral driver simplifies specifications and installation. Four sizes are available to meet most needed requirements. Thru-wall models can adjust to varying wall thicknesses.

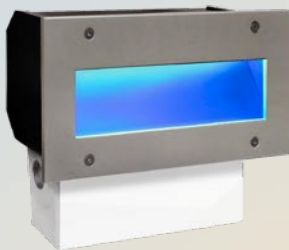
The 600 Series Steplites are suitable for concrete pour/block wall and stud wall mounting in indoor or outdoor installations. They are ideal in walls, ramps and stairwells where high light levels are desirable.

If your project demands a special fixture, we would be pleased to discuss the production of modified standard fixtures or custom fixtures to suit your specific conditions. For more information on our custom capabilities, please contact your local Cole representative.



L603W-B-2S-NH

Optional: Thru-wall, Fastener-less, Bronze Faceplates



L606W-AL-J-BLU

Blue or amber LEDs are available. Junction box option for L606, L609 and L612 sizes



SL603W-N

Surface Fixture. Also available in L606, L609 and L612 sizes



L603W-N/PC

A variety of optional light activation devices are available

COLE
Lighting

C.W. Cole & Company, Inc.
2560 Rosemead Boulevard
South El Monte, CA 91733-1593

Tel. (626) 443-2473
Fax (626) 443-9253
info@colelighting.com
www.colelighting.com

Steplites

L600 SERIES

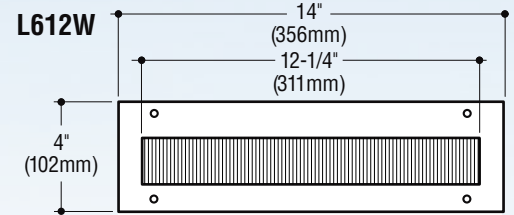
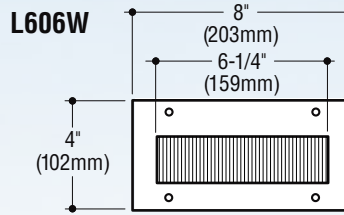
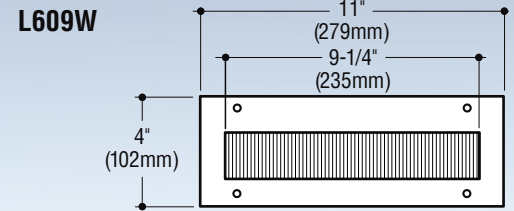
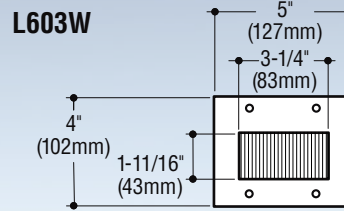
SPECIFICATIONS

Construction

- Recessed housing is constructed from 16 gauge electro-galvanized steel, matte black powder-coated
- Surface housing is constructed from 16 gauge satin finished stainless steel or .063" metallic silver powder-coated aluminum
- Faceplates are 3/16" metallic silver powder-coated aluminum or satin finished stainless steel, passivated for maximum rust resistance
- Fixtures are furnished with stainless steel socket head tamperproof screws
- Diffuser is clear tempered glass, set in silicone sealant
- Internal baffle is coated matte black to eliminate glare
- Optional junction box is cast aluminum with polyester coating
- cETLus listed installation in any wall construction and suitable for wet locations in any wall construction
- All models suitable for concrete pour.

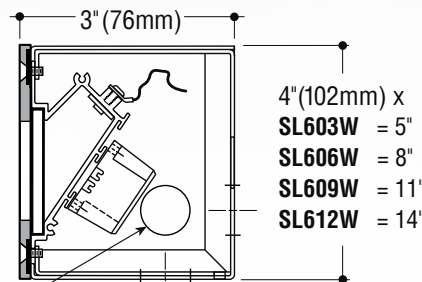
Electrical

- Fixture is wired with high performance LEDs positioned for 5°, 10° or 15° cutoff (5° standard)
- Integral driver is universal voltage
- Recessed housing provided with 1/2" conduit knockout on each side, suitable for 4 wire thru-wiring, 2 in 2 out. Surface housing conduit entries located per specification
- Optional junction box allows 8 wire thru-wiring, 4 in 4 out. Provided with two 1/2" tapped conduit entrances in the bottom and one 1/2" tapped conduit entrance in each side.



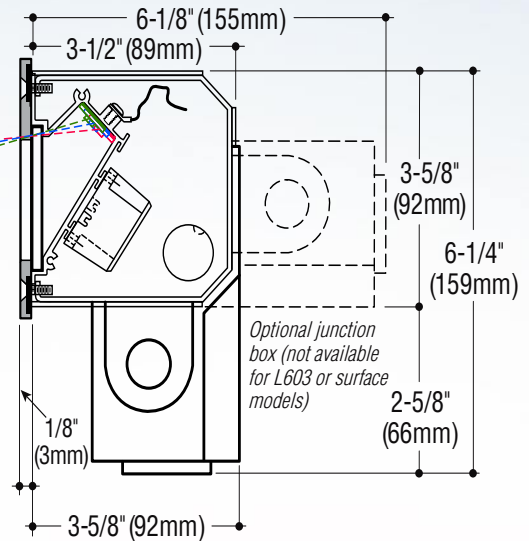
HOUSING WIDTHS for Recessed

L603W = 4" (102mm), L606W = 7" (178mm), L609W = 10" (254mm), L612W = 13" (330mm)



Surface conduit entries can be specified on either the sides, bottom or back of housing.

See options



Optional junction box (not available for L603 or surface models)

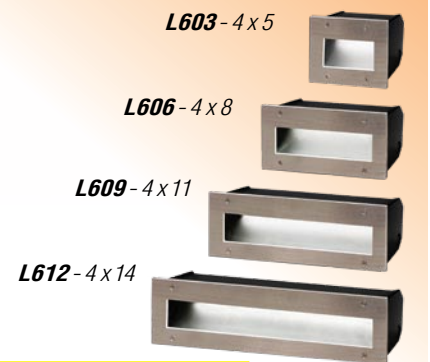
Catalog Number Lamp	Recessed Fixture Faceplate		Surface Fixture Faceplate	
	Aluminum	Stainless Steel	Aluminum	Stainless Steel
LED 1.5W, (126 lm @ 3000°K) *	L603W-AL	L603W-N	SL603W-AL	SL603W-N
LED 3.2W, (331 lm @ 3000°K) *	L603W-AL-HO	L603W-N-HO	SL603W-AL-HO	SL603W-N-HO
LED 3.0W, (252 lm @ 3000°K)	L606W-AL	L606W-N	SL606W-AL	SL606W-N
LED 6.4W, (662 lm @ 3000°K)	L606W-AL-HO	L606W-N-HO	SL606W-AL-HO	SL606W-N-HO
LED 4.5W, (377 lm @ 3000°K)	L609W-AL	L609W-N	SL609W-AL	SL609W-N
LED 9.6W, (993 lm @ 3000°K)	L609W-AL-HO	L609W-N-HO	SL609W-AL-HO	SL609W-N-HO
LED 6.0W, (503 lm @ 3000°K)	L612W-AL	L612W-N	SL612W-AL	SL612W-N
LED 12.8W, (1323 lm @ 3000°K)	L612W-AL-HO	L612W-N-HO	SL612W-AL-HO	SL612W-N-HO

Lumens shown are source.

* Indicated values for wattage are doubled for thru-wall models.

Photometric data available for Steplites can be downloaded at: <https://www.colelighting.com/photometrics>

Specify conduit entry locations when ordering surface.



Options

LED colors: 4100°K (L603, 146 lm), (L603-HO, 384 lm), (L606, 292 lm), (L606-HO, 768 lm), (L609, 438 lm), (L609-HO, 1152 lm), (L612, 584 lm), (L612-HO, 1535 lm). Add suffix **-4K**.
Amber ♦ (FWC compliant, 560 nm). Add suffix **-AMB**.
Blue ♦ Add suffix **-BLU**.
Device: Button/Switch (603, 606 & 609 only) **-SW**.
Cutoff: 10° Add suffix **-10°**. 15° Add suffix **-15°**.

Dimming: Universal voltage 0-10V driver ★. Add suffix **-DIM**.

Junction box: Cast aluminum box ★. Add suffix **-J**

Emergency battery (4 Watt): Provides up to 90 minutes operation ★. Add suffix **-EM**.

No Hole: Fastenerless (not suitable for wet locations). Add suffix **-NH**

Bronze faceplate: Satin finished, clear coated. Add suffix **-B**. Replaces "-N" or "-AL"

Frosted glass diffuser: Tempered. Add suffix **-FG**

Alternate trim color: Black, White or Custom.

Add suffix **-BLK**, **-WHT** or **-CC** for Custom color or finish (consult factory for **-CC** choices).

Antimicrobial white paint: Resist microbial growth. Add suffix **-AM**

Sensor: Available in 603, 606 & 609 sizes ♦. Photocell. Add suffix **-PC**.

♦ Not available in HO

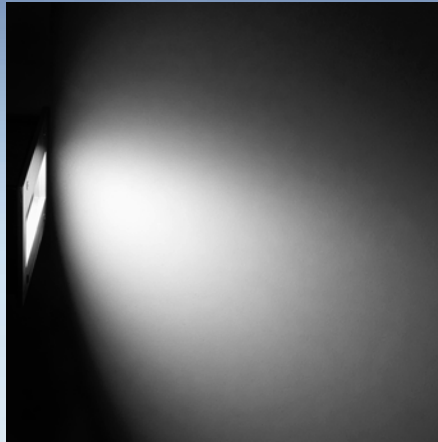
★ Not available on L603 models, except w. sensor.

♦ Housing size increases by 3" on models with a sensor or button/switch.

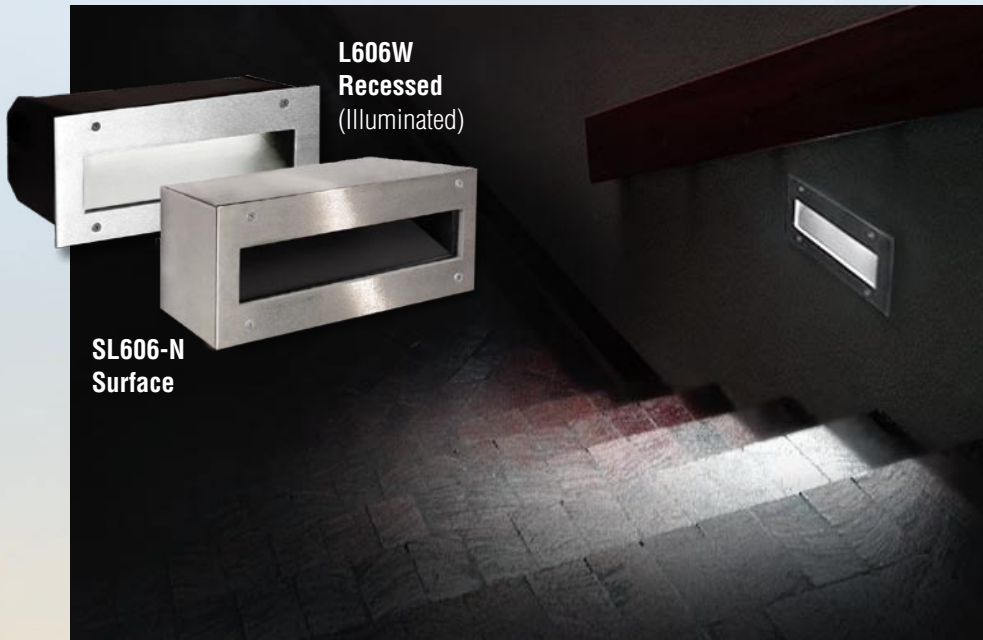
L600 THRU-WALL



Clear Glass Diffuser (Standard 5% Cutoff)



Frosted Glass Diffuser (Standard 5% Cutoff)



L606W Recessed
(Illuminated)

SL606-N Surface

Standard or Optional Trim Color / Finishes



SATIN STAINLESS STEEL (Std.)

ALUMINUM
Metallic silver powder-coated (Std.)



Solid Bronze, satin finished, clear coated

Custom Options



Dark Bronze
(RAL 8019)



Verdgris Brass



Satin Copper
clear coated

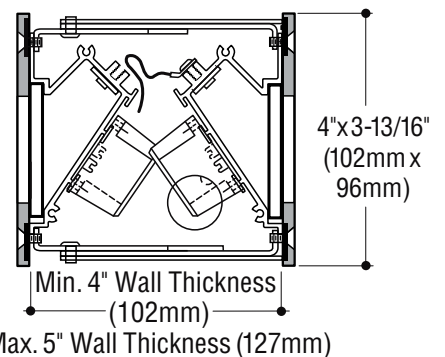
SPECIFICATIONS

Construction

- Recessed housing is constructed from 16 gauge electro-galvanized steel, matte black powder-coated
- Diffuser is clear tempered glass, set in silicone sealant
- Internal baffle is coated matte black to eliminate glare
- Optional junction box is cast aluminum with polyester coating
- cETLus listed installation in any wall construction and suitable for wet locations in any wall construction
- All models suitable for concrete pour.

Electrical

- Fixture is wired with high performance LEDs positioned for 5°, 10° or 15° cutoff (5° standard)
- Integral driver is universal voltage
- Housing provided with 1/2" conduit knockout on each side, suitable for 4 wire thru-wiring, 2 in 2 out
- Optional junction box allows 8 wire thru-wiring, 4 in 4 out. Provided with two 1/2" tapped conduit entrances in the bottom and one 1/2" tapped conduit entrance in each side.



Catalog Number Lamp	Thru-Wall Faceplates	
	Aluminum	Stainless Steel
LED 1.5W, (126 lm @ 3000°K)*	L603W-2S-AL	L603W-2S-N
LED 3.2W, (331 lm @ 3000°K)*	L603W-2S-AL-HO	L603W-2S-N-HO

*Indicated values for wattage, doubled for thru-wall models.
Photometric data available for Steplites upon request.





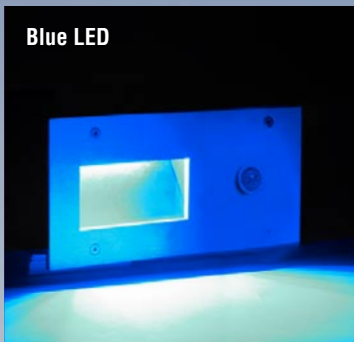
Photocell
(-PC)



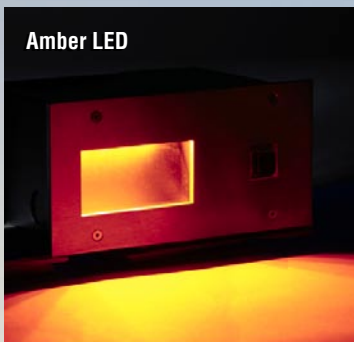
Button/Switch
(-SW)

L603W-N-PC

Two optional light activation devices are available for this directional series steplite.



Blue LED



Amber LED



SPECIFICATIONS

Construction

- Faceplate is 3/16" metallic silver powder-coated aluminum or satin finished stainless steel
- Electro-galvanized steel Recessed Housing - Stainless steel or Aluminum Surface Housing
- Fixtures are furnished with stainless steel socket head tamperproof screws
- Diffuser is 3/16" thick clear tempered glass
- Internal baffle is coated matte black to eliminate glare
- Optional junction box is cast aluminum with polyester coating
- cETLus listed installation and suitable for wet locations in any wall construction. Suitable for concrete pour/block wall mounting in indoor and outdoor installations

Electrical

- Fixture is wired with high performance LEDs positioned for 5°, 10° or 15° cutoff (5° standard)
- Integral driver is universal voltage
- Optional 0-10V Dimming Driver on Select Models
- Recessed housing provided with 1/2" conduit knockout on each side, suitable for 4 wire thru-wiring, 2 in 2 out. Surface housing conduit entries located per specification
- Optional junction box allows 8 wire thru-wiring, 4 in 4 out. Provided with two 1/2" tapped conduit entrances in the bottom and one 1/2" tapped conduit entrance in each side.

L603W-PC



SL603W-SW



L603W-B-PC



Available in 603, 606 & 609 sizes. Custom sizes available upon request.

COLE
Lighting