

| Series   | LED | Surface Collar | Color LEDs | Dimming | Exterior | Interior | EM Battery | Other Options  |
|----------|-----|----------------|------------|---------|----------|----------|------------|--|
| 2500     | •   |                | •          | •       | •        | •        | •          | Exterior egress<br>Choice of diffusers<br>and finishes |
| 2500-EGR | •   | •              | •          | •       | •        | •        |            |  |

## Steplites

### *FannyPack*

#### L2500 SERIES L2500-EGR SERIES

##### Description

The L2500 Series Steplite is a low-level surface wall mounted fixture for illuminating walkways and walls. The design offers the capability for uplighting, downlighting, or both.

The L2500-EGR Series "Egress" Steplite is an emergency-circuited exterior wall fixture for illuminating doorways and pathways with secondary emergency power sources for MR11 lamps.

##### Features

The ADA-compliant dimensions and smooth design make the FannyPack a unique choice for walkway illumination, with the added capability for uplighting. The dual-circuited, dual light source feature allows the FannyPack L2500-EGR to meet the requirements for Emergency Egress luminaires. The rugged cast aluminum construction ensures long service in most public areas.

##### Applications

The FannyPack is suitable for walkway lighting along corridors, at the sides of stairs, or at columns, where the uplighting can highlight the architecture.

The FannyPack L2500-EGR is suitable for exterior applications above doorways, garage entries, elevators and any other location where emergency egress illumination is desirable.

##### Custom

If your project demands a special fixture we would be pleased to discuss the production of custom fixtures to suit your specific conditions. For more information on our custom capabilities, please contact your local Cole representative.



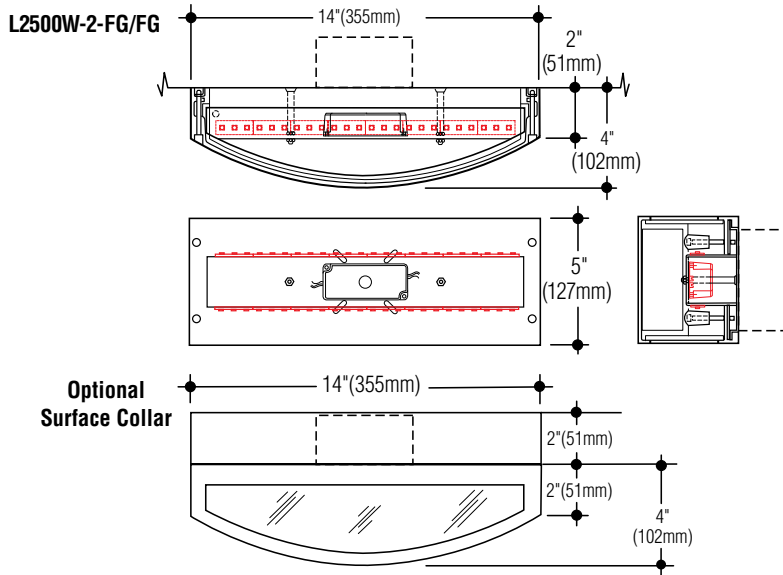
LED, color optional lamps may be specified for this series.



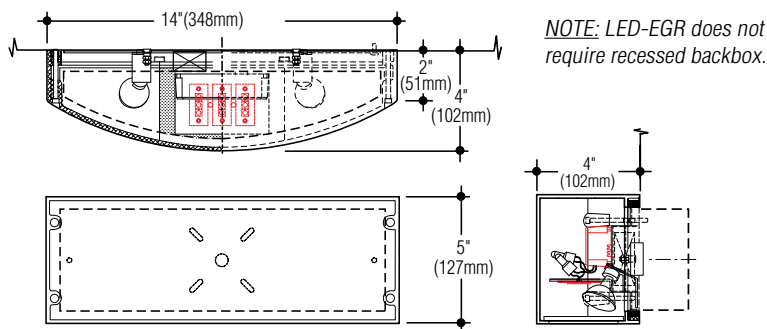
**C.W. Cole & Company, Inc.**  
2560 Rosemead Boulevard  
South El Monte, CA 91733-1593

Tel. (626) 443-2473  
Fax (626) 443-9253  
info@colelighting.com  
[www.colelighting.com](http://www.colelighting.com)

## LED



## LED-1-EGR (Egress)



## Steplites

### FannyPack

## L2500 SERIES L2500-EGR SERIES

### SPECIFICATIONS

#### Construction

- Housing is cast aluminum, mounted to a 16 gauge stainless steel back mounting plate or back housing. Optional surface collar is .063" aluminum
- Finish is textured black polyester. Other finishes are available
- Trim is fastened in place by stainless steel mounting screws
- Fixture is furnished with diffuser in either top, bottom, or both
- Diffuser is set in silicone
- ADA compliant
- cETLus listed
- LED models suitable for wet locations on any wall construction
- HID models suitable for wet locations in concrete pour/block wall construction.

#### Electrical

- Wired for high performance LEDs
- Integral drivers are universal voltage; secondary MR11 lamps require 120V power supply
- Optional 0-10V dimming driver available
- Two 20W MR11 lamps are required with EGR option.

#### Mounting

- Slots on mounting plate allow mounting directly to junction box for LED models
- Recessed housing with emergency battery, have holes for mounting
- Fixture may be mounted with diffuser(s) in any position.

### Catalog Number Lamp

LED 6.0W, 503 lm @ 3000°K per diffuser  
 LED 12.5W, 1323 lm @ 3000°K per diffuser  
 LED 9.45W, (1350 lm @ 3000°K) and two 20MR11

### One diffuser

L2500W-1-(diffuser)  
 L2500W-1-HO-(diffuser)  
 L2500W-1-EGR

### Two diffusers

L2500W-2-(top diffuser/bottom diffuser)  
 L2500W-2-HO-(top diffuser/bottom diffuser)

Lumens shown are source. Photometric data available for Steplites can be downloaded at: <https://www.colelighting.com/photometrics>

### Options

**Alternate finishes:** Metallic aluminum or textured white.  
 Add suffix **-ALU** or **-WHT**.

**Diffusers:** Select one or two diffuser choices. If same diffuser selected for two-diffuser models, state selection twice. (Example: L2500W-2-ST/ST)

Add suffixes as required.

Frosted tempered glass **-FG** Ribbed glass spread lens **-ST**  
 Prismatic tempered glass **-C73** Perforated panel/glass **-PF**  
 Opal glass diffuser **-OPL**

**Surface collar:** Allows surface emergency battery driver location and/or surface conduit capability.  
 Adds 2" (no longer complies with ADA) to overall fixture depth. Add suffix **-SC**.

**Emergency battery:** Non-EGR LED models only. Provides 90 minutes operation. Requires recessed housing (std.) or surface collar (Add -SC). Add suffix **-EM**

#### LED colors:

4000°K (584 lm, per diffuser), -HO (1536 lm, per diffuser).  
 Add suffix **-4K**.

Amber\* (FWC compliant, 560 nm). Add suffix **-AMB**.

Blue\* Add suffix **-BLU**.

\*Not available on EGR models.

**Dimming:** Universal voltage 0-10V driver. Add suffix **-DIM**.

#### How to Specify

1. Select catalog number.
2. Add suffixes for options required to meet job conditions.

**COLE**  
*Lighting*

**C.W. Cole & Company, Inc.**  
 2560 Rosemead Boulevard  
 South El Monte, CA 91733-1593

Tel. (626) 443-2473

Fax (626) 443-9253

info@colelighting.com

[www.colelighting.com](http://www.colelighting.com)