

Series	LED	Cast Bronze Faceplate	Amber LED	Blue LED	Dimming	Exterior	Interior	Feed-Thru	Other Options
2100E	•	•	•	•	•	•	•	•	Faceplate colors Junction box

Steplites

L2100E "DOME" SERIES

Description

This high-performance Steplite features an extremely robust cast aluminum "Dome" faceplate which offers downwards-only performance. The clear tempered glass diffuser and large aperture allows high footcandle levels close to the wall. This is ideal for use in parking garages, ramps, and pedestrian bridges where the elimination of glare is desired from drivers' eyes.

Features

The dome faceplate allows an exceptional downward throw of light. Cole Steplites feature an optional cast aluminum junction box which may be easily field mounted to either the back or bottom of the housing to best suit installation conditions.

Applications

The L2100E Series Steplites are suitable for concrete pour/block wall mounting in outdoor installations. This Series is also suitable for interior use in any wall condition. They are ideal in walls, ramps, and stairwells where high light levels with sharp cutoff are desirable.

Custom

If your project demands a special fixture we would be pleased to discuss the production of modified standard fixtures or custom fixtures to suit your specific conditions. For more information on our custom capabilities, please contact your local Cole representative.



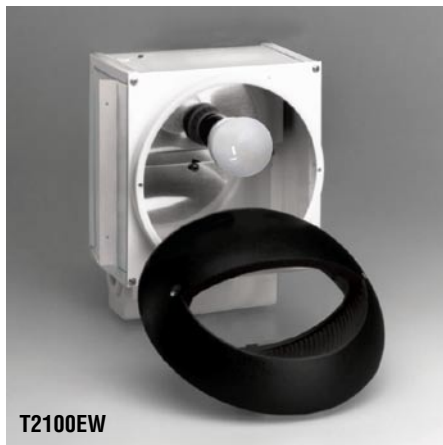
The concealed diffuser directs the light downward with eliminating brightness.



Bronze, metallic aluminum or textured white faceplate options.



L2100EW



T2100EW

LED, moduls or E26 lamps may be specified for this series.

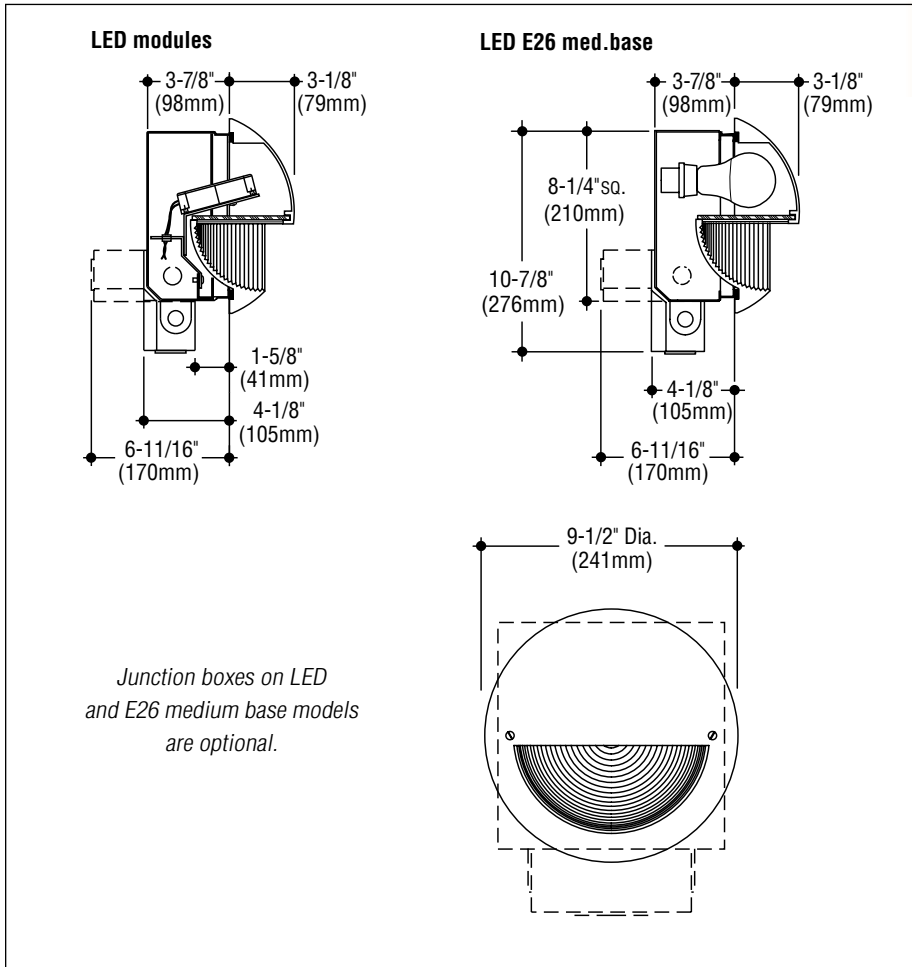


The junction box on Cole Steplites may be field mounted to the back or bottom of the fixture.



C.W. Cole & Company, Inc.
2560 Rosemead Boulevard
South El Monte, CA 91733-1593

Tel. (626) 443-2473
Fax (626) 443-9253
info@colelighting.com
www.colelighting.com



Steplites

L2100E "DOME" SERIES

SPECIFICATIONS

Construction

- Fixture housing, suitable for concrete pour, is constructed from die-formed 16 gauge electro-galvanized steel and is coated with white polyester
- Faceplate is cast aluminum with textured black coating, gasketed and retained by stainless steel screws
- Diffuser is clear tempered glass set in silicone sealant
- Optional junction box is cast aluminum with polyester coating
- cETLus listed, suitable for wet locations in any wall construction.

Electrical

- High performance LEDs are available in a variety of colors
- Integral driver is standard universal voltage; optional 0-10v dimming driver available
- Housing provided with 1/2" conduit knockout on each side suitable for 4 wire thru-wiring, 2 in and 2 out
- Optional junction box allows 8 wire thru-wiring, 4 in and 4 out. Provided with two 1/2" tapped conduit entrances in the bottom and one 1/2" tapped conduit entrance in each side.

Mounting

Housing has flanges with holes for mounting.

Catalog Numbers

Lamp

LED 9.45W, (1350 lm @ 3000°K)
One E26 medium base lamp socket

L2100EW
T2100EW

Lumens shown are source.

Photometric data available for Steplites can be downloaded at: <https://www.colelighting.com/photometrics>

Options

Cast Bronze faceplate: Satin finished, clear coated. Add suffix **-B**.

Junction box: Bottom or back mounted as required for feed-thru. Add suffix **-J**.

Alternate faceplate color: Metallic aluminum or textured white. Add suffix **-ALU** or **-WHT**.

Tamperproof screws: Socket head faceplate screws. Add suffix **-TP**.

Voltage: 277V ballast. Add suffix **-277**.

Dimming: Universal voltage, 0-10V dimming driver. Add suffix **-DIM**

Emergency battery (4 Watt): Provides up to 90 minutes operation. Add suffix **-EM**.

LED colors:

4000°K (1410 lm). Add suffix **-4K**.

Blue. Add suffix **-BLU**.

Amber. Add suffix **-AMB**.

Amber 590. (590 nm, FWC compliant).

Add suffix **-AMB/590**.

How to Specify

1. Select catalog number with desired features.
2. Add suffixes for options required to meet job conditions.



C.W. Cole & Company, Inc.
2560 Rosemead Boulevard
South El Monte, CA 91733-1593

Tel. (626) 443-2473

Fax (626) 443-9253

info@colelighting.com

www.colelighting.com