

Series	LED	Opal Glass	LED color	Dimming	Exterior	Interior	Feed-Thru	Other Options
L2100	•	•	•	•	•	•	•	Faceplate finishes Emergency battery Junction Box

## Steplites

### L2100SERIES

#### Description

The L2100 Series of cast louvered and non-louvered Steplites are high performance fixtures for large size areas. Their large aperture allows high light levels to the sides and in front of the fixture for many interior and exterior locations. The rugged construction, engineering excellence, and quality make these fixtures ideal for specification in most public areas.

#### Features

Louvers in the L2100 Series are more widely spaced than in most fixtures of this type, allowing for significantly greater forward projected illumination. Exceptional durability is provided by the thick cast aluminum louvered faceplate which protects the tempered glass diffuser while controlling the distribution of light. Cole Steplites feature an optional cast aluminum junction box which may be easily field mounted to either the back or bottom of the housing to best suit installation conditions.

#### Applications

The L2100 Series Steplites are suitable for concrete pour/block wall and stud wall mounting in indoor or outdoor installations. The L2100 Series Steplites are suitable for concrete pour/block wall, ramps and stairwells. They are ideal in walls, ramps, and stairwells where high light levels are desirable.

#### Custom

If your project demands a special fixture we would be pleased to discuss the production of modified standard fixtures or custom fixtures to suit your specific conditions. For more information on our custom capabilities, please contact your local Cole representative.



L2100RW-J



L2100SW-WHT



L2100RG-BLK



L2100SGW-OPL-J

2100 Series steplites are available with round or square cast aluminum faceplates.



Available with opal glass diffuser.

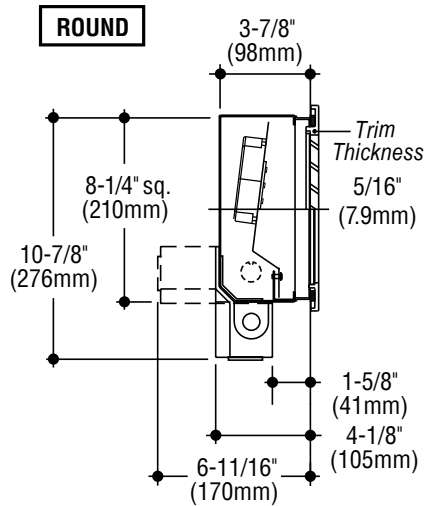
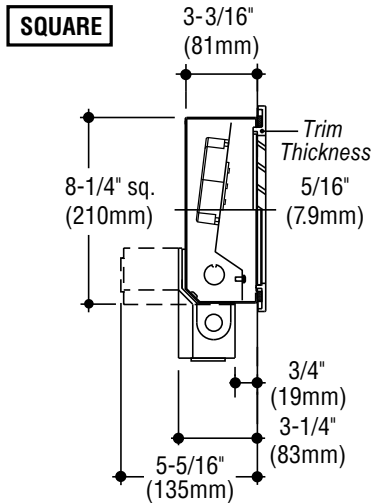


The junction box on Cole Steplites may be field mounted to the back or bottom of the fixture.

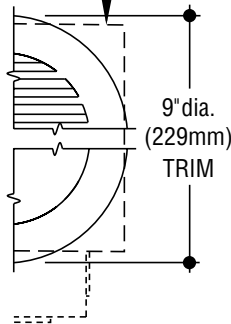
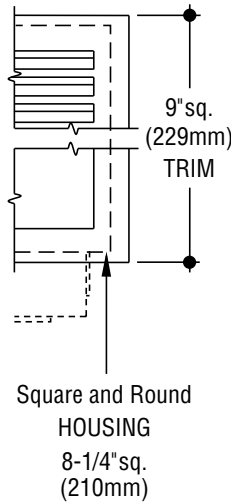


**C.W. Cole & Company, Inc.**  
2560 Rosemead Boulevard  
South El Monte, CA 91733-1593

Tel. (626) 443-2473  
Fax (626) 443-9253  
info@colelighting.com  
[www.colelighting.com](http://www.colelighting.com)



## Faceplates



## Steplites

### L2100 SERIES

#### SPECIFICATIONS

##### Construction

- Fixture housing, suitable for concrete pour, is constructed from die-formed 16 gauge electro-galvanized steel and is coated with white polyester
- Faceplate is cast aluminum, coated with metallic aluminum polyester, and is gasketed and retained by stainless steel screws
- Diffuser is frosted tempered glass set in silicone sealant
- Reflector is constructed of die-formed white aluminum
- Optional junction box is cast aluminum with polyester coating
- 2100 Series is cETLus listed suitable for wet locations in any wall construction.

##### Electrical

- High performance LEDs are available in a variety of colors
- Integral driver is standard universal voltage; optional 0-10v dimming driver available
- Housing provided with 1/2" conduit knockout on each side suitable for 4 wire thru-wiring, 2 in and 2 out
- Optional junction box allows 8 wire thru-wiring, 4 in and 4 out. Provided with one 1/2" tapped conduit entrance in the bottom and one 1/2" conduit entrance in each side.

##### Mounting

Housing has flanges with holes for mounting.

Catalog Numbers Lamps	Faceplate			
	9" dia./Louver	9" dia./Non-Louver	9" sq./Louver	9" sq./Non-Louver
LED 9.45W, (1350 lm @ 3000°K)	L2100RW	L2100RGW	L2100SW	L2100SGW

Lumens shown are source. Photometric data available for Steplites can be downloaded at: <https://www.colelighting.com/photometrics>

#### Options

**Junction box:** Bottom or back mounted as required for feed-thru. Add suffix **-J**.

**Cast bronze faceplate:** Satin finished, clear coated. Add suffix **-B**.

**Tamperproof screws:** Socket head faceplate screws. Add suffix **-TP**.

**Alternate faceplate color:** Black or white. Add suffix **-BLK** or **-WHT**.

**Opal glass diffuser:** Tempered. Add suffix **-OPL**.

**Voltage:** 277V LED Driver. Add suffix **-277**.

**Dimming:** Universal voltage; 0-10V driver. Add suffix **-DIM**.

**Emergency battery (4 Watt):** Provides up to 90 minutes operation. Add suffix **-EM**.

#### LED colors:

**4000°K** (1410 lm). Add suffix **-4K**.

**Blue.** Add suffix **-BLU**.

**Amber.** Add suffix **-AMB**.

**Amber 590.** (590 nm, FWC compliant).

Add suffix **-AMB/590**.

#### How to Specify

1. Select catalog number with desired features.
2. Add suffixes for options required to meet job conditions.



**C.W. Cole & Company, Inc.**  
2560 Rosemead Boulevard  
South El Monte, CA 91733-1593

Tel. (626) 443-2473

Fax (626) 443-9253

info@colelighting.com

[www.colelighting.com](http://www.colelighting.com)