

Steplites

Series	LED	Incan.	Opal Lens	Dimming	Exterior	Interior	Feed-Thru	Other Options
153	•		•	•	•	•	•	Bronze faceplate Faceplate color Tamperproof screws

153 SERIES

Description

The L153 Series Steplites provide a heavy-duty, cast aluminum louvered faceplate design in a stylish, small package. High-performance LEDs, along with integral drivers, are available in different colors. The louvered faceplate features low-glare performance with high-impact resistance. Its exterior rating makes it ideal for use in side walls along stairways, walkways, and ramps.

Features

Louvers in the 153 Series are more widely spaced than most fixtures of this type, allowing for significantly greater forward projected illumination. Exceptional durability is provided by the thick cast aluminum louvered faceplate and the tempered glass diffuser. The 153 Series features an integral feed-thru junction box.

Applications

The 153 Series Steplites are suitable for concrete pour/block wall and stud wall mounting in indoor or outdoor installations. They are ideal in low walls and side mounting at stairs.

Custom

If your project demands a special fixture we would be pleased to discuss the production of modified standard fixtures or custom fixtures to suit your specific conditions. For more information on our custom capabilities, please contact your local Cole representative.



L153W - Cast aluminum faceplate



L153W-B - Cast Bronze faceplate



LED features integral driver, fluorescent is equipped with electronic ballast.



Trims available in optional faceplate colors or cast bronze trim.



C.W. Cole & Company, Inc.
2560 Rosemead Boulevard
South El Monte, CA 91733-1593

Tel. (626) 443-2473
Fax (626) 443-9253
info@colelighting.com
www.colelighting.com

Steplites

153 SERIES

SPECIFICATIONS

Construction

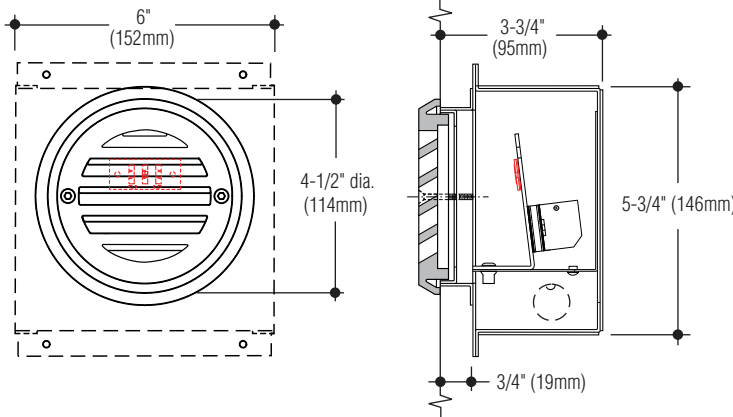
- Fixture housing is constructed from die-formed 16 gauge electro-galvanized steel finished with a white polyester coating
- Faceplate is cast aluminum with metallic aluminum polyester coating, gasketed and retained by stainless steel screws
- Diffuser is frosted tempered glass set in silicone sealant
- cETLus listed, suitable for wet locations in any wall construction
- All models suitable for concrete pour.

Electrical

- Fixture is wired with high performance LEDs, and are available in a variety of colors
- Intergral universal voltage driver
- Housing provided with 1/2" conduit knockouts
- Available with ELV dimming; 120V only
- Integral junction box allows 8 wire thru-wiring, 4 in and 4 out. One 1/2" conduit knockout provided on each side of housing.

Mounting

Housing has flange with holes for mounting.



Catalog Number

Lamp

LED 3.15W, (450 lm @ 3000°K)

L153W

Lumens shown are source.

Photometric data available for Steplites can be downloaded at: <https://www.colelighting.com/photometrics>

Options

Tamperproof screws: Socket head faceplate screws. Add suffix **-TP**.

Voltage: 277V LED driver (Universal Voltage). Add suffix **-277**

(LED universal voltage standard)

Cast Bronze faceplate: Satin finish, clear coated. Add suffix **-B**.

Alternate faceplate color: Black or white. Add suffix **-BLK** or **-WHT**.

Opal glass diffuser: Tempered. Add suffix **-OPL**.

LED color:

4000°K: (355 lm). Add suffix **-4K**.

Amber: colored LED. Add suffix **-AMB**.

Amber 590nm: colored LED FWC compliant.

Add suffix **-AMB/590**

Blue: Add suffix **-BLU**

Dimming:

Universal voltage 0-10V driver. Add suffix **-DIM**.

ELV dimming driver (120V only).

Add suffix **-DIM/ELV**.

How to Specify

1. Select catalog number with desired features.
2. Add suffixes for options required to meet job conditions.

COLE
Lighting

C.W. Cole & Company, Inc.
2560 Rosemead Boulevard
South El Monte, CA 91733-1593

Tel. (626) 443-2473

Fax (626) 443-9253

info@colelighting.com

www.colelighting.com