

Series	LED	Diffuser Choices	Core Drill	Dimming	Exterior	Interior	Feed-Thru	Other Options
L131	●	●	●	●	●	●		Faceplate color Core drill installation Tamperproof screws

## Steplites

### L131 SERIES

#### Description

The L131 Series Steplites provide heavy-duty, cast aluminum construction in a handsome, small package. High-performance LEDs, along with integral drivers, are available in different colors. The faceplate design features low-glare performance with no direct view of the LEDs' brightness. Its exterior rating makes it ideal for use in side walls along stairways, walkways, and ramps.

#### Custom

If your project demands a special fixture we would be pleased to discuss the production of modified standard fixtures or custom fixtures to suit your specific conditions. For more information on our custom capabilities, please contact your local Cole representative.



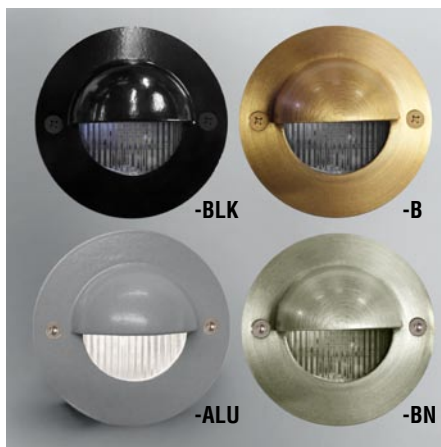
L131W-TP



High performance LEDs are standard with this fixture



L131GW-ALU-TP



A variety of optional faceplate colors and finishes available.



C.W. Cole & Company, Inc.  
2560 Rosemead Boulevard  
South El Monte, CA 91733-1593

Tel. (626) 443-2473  
Fax (626) 443-9253  
info@colelighting.com  
[www.colelighting.com](http://www.colelighting.com)

## Steplites

### L131 SERIES

#### SPECIFICATIONS

##### Construction

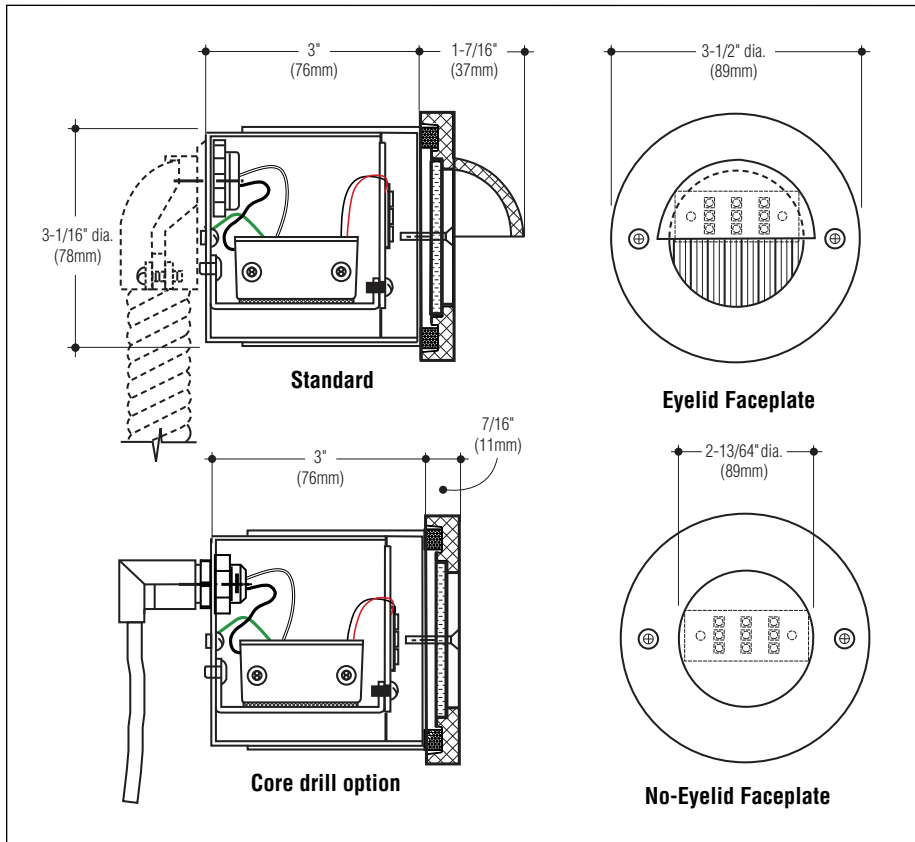
- Housing is white polyester coated, 16 gauge spun steel suitable for concrete pour installations
- Cast aluminum eyelid or no-eyelid faceplate has a white polyester finish and is retained by stainless steel screws
- Clear ribbed spread lens (L131W) and Opal lens (L131GW) set in silicone sealant
- cETLus listed, suitable for wet locations in any wall construction.

##### Electrical

- High performance LEDs are available in a variety of colors
- Integral universal voltage driver is standard; 120V ELV dimming driver optional
- Housing provided with two 1/2" conduit knockouts
- Core drilled versions include 6 ft., 18/3 jacketed cord and weatherproof strain relief.

##### Mounting

Holes provided in back of housing for mounting.



#### Catalog Numbers

#### Lamp

LED 3.15W, (450 lm @ 3000°K)

Lumens shown are source.

Download photometric data for 131 Steplites: <https://www.colelighting.com/photometrics>

#### Faceplate

#### Eyelid

L131W

#### No-Eyelid

L131GW

#### Options

**Core drill installation:** Supplied with 6 ft. 18/3" jacketed cord. Add suffix **-CD**.

#### LED color:

4000°K (470 lm). Add suffix **-4K**,

Blue. Add suffix **-BLU**.

Amber. Add suffix **-AMB**,

590 nm Amber (FWC compliant).

Add suffix **-AMB/590**,

**Voltage:** 277V driver, universal voltage standard.

Add suffix **-277**.

**Dimming:** 120v only, ELV dimming driver.

Add suffix **-DIM**.

**Tamperproof screws:** Socket head faceplate screws. Add suffix **-TP**.

#### Diffusers:

**Frosted glass:** Tempered. Add suffix **-FG**.

**Spread Lens:** Ribbed tempered glass (standard on the L131W). Add suffix **-ST**.

**Opal glass:** Tempered (standard on the L131GW). Add suffix **-OPL**.

#### Alternate faceplate colors:

Black. Add suffix **-BLK**,

Metallic aluminum. Add suffix **-ALU**,

Custom color. Add suffix **-CC**.

**Brushed satin nickel plated.** Add suffix **-BN**.

**Cast bronze faceplate:** Satin finish, clear coated. Add suffix **-B**.

#### How to Specify

1. Select catalog number.
2. Add suffixes for options required to meet job conditions.

**COLE**  
*Lighting*

**C.W. Cole & Company, Inc.**  
2560 Rosemead Boulevard  
South El Monte, CA 91733-1593

Tel. (626) 443-2473

Fax (626) 443-9253

info@colelighting.com

[www.colelighting.com](http://www.colelighting.com)