

# LED StepLites

## L111/L211 SERIES

This directional Steplite features high performance LEDs. Its unique optical design provides impressive forward-throw while eliminating any visible light above horizontal. The rugged construction, engineering excellence, and quality make this fixture ideal for specification in most public areas.

Choices of powder coated aluminum or brushed stainless steel faceplates provide a sleek and modern appearance. Integral driver simplifies specifications and installation.

The L111/L211 Series Steplites are suitable for block and stud wall mounting in indoor or outdoor installations. They are ideal for use in stairwells, corridors, patient rooms or residential applications where low glare characteristics are desirable.

If your project demands a special fixture, we would be pleased to discuss the production of modified standard fixtures or custom fixtures to suit your specific conditions. For more information on our custom capabilities, please contact your local Cole representative.



**COLE**  
*Lighting*

C.W. Cole & Company, Inc.  
2560 Rosemead Boulevard  
South El Monte, CA 91733-1593

Tel. (626) 443-2473

Fax (626) 443-9253

info@colelighting.com

[www.colelighting.com](http://www.colelighting.com)

## L111 Series

### SPECIFICATIONS

#### Construction

- Furnished with a galvanized steel RACO® (Cat.# 670RAC) or equal, single-gang box
- Faceplates are 1/8" thick • Aluminum faceplates are with a white polyester finish; Stainless steel are satin finished, passivated for maximum rust resistance
- Fixtures are furnished with stainless steel socket head tamperproof screws
- Diffuser is clear tempered glass, set in silicone sealant
- Internal baffle is coated matte black to minimize LED glare
- cETLus listed suitable for wet locations.

#### Electrical

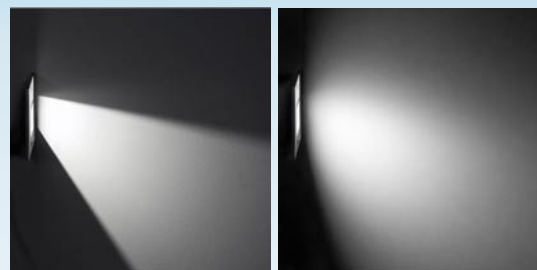
- Fixture is wired with high performance LEDs available in a variety of colors
- Integral universal voltage driver
- Available with ELV dimming capability; 120V only
- Housing provided with multiple 1/2" conduit knockouts

#### Mounting

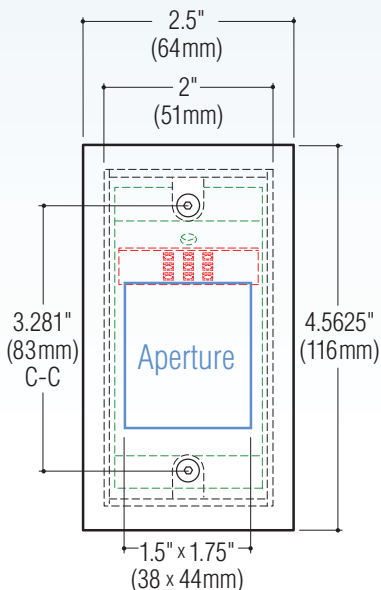
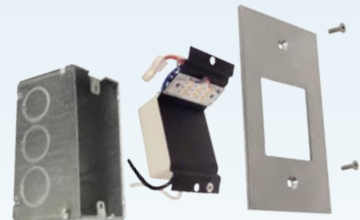
Housing has holes for mounting.

#### How to Specify

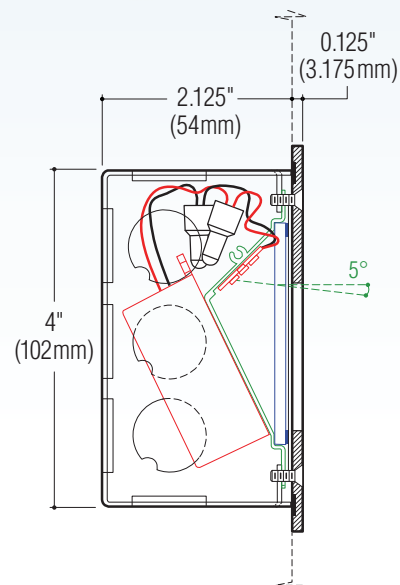
1. Select catalog number with desired features.
2. Add suffixes for options required to meet job conditions.



Clear Glass Diffuser or Frosted Glass Diffuser



FRONT VIEW



SIDE - SECTION



**Blue LED available for theater aisle lighting**

**Bronze, satin finish or custom color faceplates are optional**



**COLE**  
*Lighting*

Catalog Number	Faceplate	
	Aluminum	Stainless Steel
Lamp		
LED 3.15W, (450 lm @ 3000°K)	L111W-AL	L111W-N

Lumens shown are source.

Photometric data available for Steplites can be downloaded at: <https://www.colelighting.com/photometrics>

#### Options

##### LED colors:

2700°K (437 lm). Add suffix **-27K**,  
4000°K (470 lm). Add suffix **-4K**,  
Amber. Add suffix **-AMB**, 590nm Amber (FWC compliant). Add suffix **-AMB/590**,  
Blue. Add suffix **-BLU**.

**Voltage:** 277V driver, non-dimming. Add suffix **-277**

**Frosted glass diffuser:** Tempered. Add suffix **-FG**.

**Bronze trim:** Satin finished, clear coated. Add suffix **-B**.

**Dimming:** ELV dimming driver (120V only) **-DIM**.

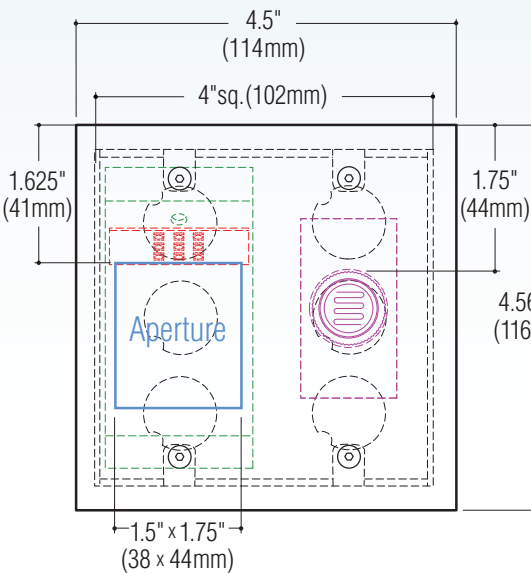
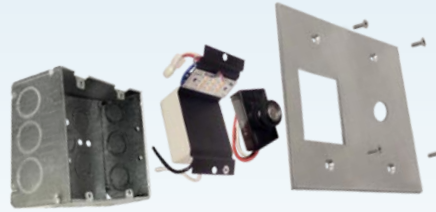
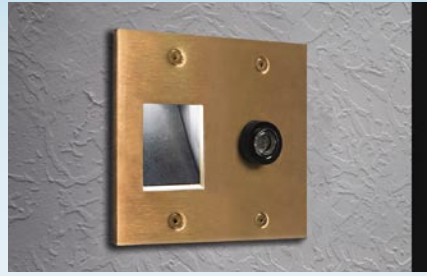
##### Alternate trim color ("AL" only):

Metallic silver aluminum. Add suffix **-ALU**,  
Black. Add suffix **-BLK**,  
Custom color or finish (consult factory for choices). Add suffix **-CC**.

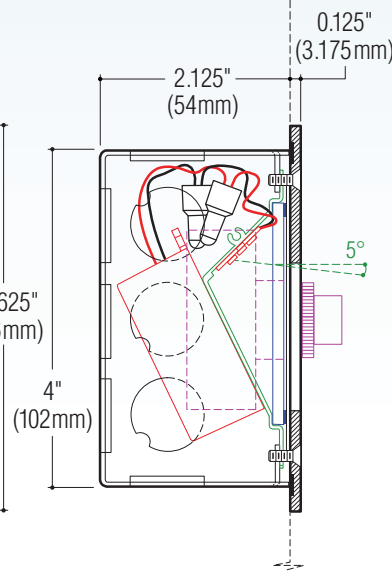
**Antimicrobial white paint:** Coating that resists bacterial growth. Add suffix **-AM**.



## L211 Series



FRONT VIEW



SIDE - SECTION

### SPECIFICATIONS

#### Construction

- Furnished with a galvanized steel Steel City® (Cat.# 132-W-1/2) or equal, double-gang box
- Faceplates are 1/8" thick • Aluminum faceplates are with a white polyester finish; Stainless steel are satin finished, passivated for maximum rust resistance
- Fixtures are furnished with stainless steel socket head tamperproof screws
- Diffuser is clear tempered glass, set in silicone sealant
- Internal baffle is coated matte black to minimize LED glare
- cETLus listed.

#### Electrical

- Fixture is wired with high performance LEDs available in a variety of colors
- Integral universal voltage driver
- Available with ELV dimming capability; 120V only
- Housing provided with multiple 1/2" conduit knockouts
- Choices of power and USB receptacles, switches, and sensors are offered

#### Mounting

Housing has holes for mounting.

#### How to Specify

1. Select catalog number with desired features.
2. Add suffixes for options required to meet job conditions.

### Catalog Number

#### Lamp

LED 3.15W, (450 lm @ 3000°K)

### Faceplate

#### Aluminum

L211-AL-\*

#### Stainless Steel

L211-N-\*

Lumens shown are source. | \* = Mandatory suffix required, either a sensor or a device  
Photometric data available for StepLites can be downloaded at: <https://www.colelighting.com/photometrics>

### Options

**LED colors:** 2700°K (437 lm). Add suffix **-27K**, 4000°K (470 lm). Add suffix **-4K**,

Amber. Add suffix **-AMB**, 590nm Amber (FWC compliant). Add suffix **-AMB/590**, Blue. Add suffix **-BLU**.

**Dimming:** ELV dimming driver (120V only) **-DIM**.

**Bronze trim:** Satin finished, clear coated. Add suffix **-B**.

**Alternate trim color** ("AL" only):

Metallic silver aluminum. Add suffix **-ALU**, Black. Add suffix **-BLK**,

Custom color or finish (consult factory for choices). Add suffix **-CC**.

**Antimicrobial white paint:** Coating that resists bacterial growth. Add suffix **-AM**.

**Frosted glass diffuser:** Tempered. Add suffix **-FG**.

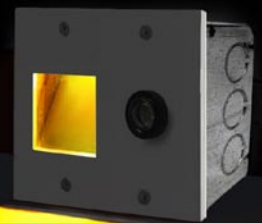
**\*Sensors:** Photocell. Add suffix **-PC**, Occupancy Sensor. Add suffix **-OCC**, Button/Switch Add suffix **-SW**.

**\*Devices:** Duplex. Add suffix **-DUP**, Universal Serial Bus port. Add suffix **-USB**, Duplex and USB port. Add suffix **-DUP/USB**.

**Weatherproof:** Exterior use. For OCC and PC devices only. Add suffix **-W**.

**Voltage:** 277V driver, non-dimming. Add suffix **-277**.

Amber LED with Photocell



Antimicrobial white paint

**COLE**  
Lighting





**Device Options**



**Photocell (-PC)**



**Occupancy Sensor (-OCC)**



**Button/Switch (-SW)**

**L211-N-DUP/USB**

A variety of optional wired devices are available for this directional L211 series steplite.



**Blue LED**



**Amber LED**



**SPECIFICATIONS**

**Construction**

- Furnished with a galvanized steel Steel City® (Cat.# 132-W-1/2) or equal, double-gang box
- Faceplates are 1/8" thick
- Aluminum trim has a white polyester finish; Stainless steel are satin finished, passivated for maximum rust resistance
- Fixtures are furnished with stainless steel socket head tamperproof screws
- Diffuser is clear tempered glass, set in silicone sealant
- Internal baffle is coated matte black to minimizes LED glare
- cETLus listed.

**Electrical**

- 120V only
- Housing provided with multiple 1/2" conduit knockouts
- Fixture is wired with high performance LEDs available in a variety of colors
- Integral universal voltage driver
- Available with ELV dimming capability; 120V only



**L211-AL-PC**



**L211-N-SW**



**L211-AL-ALU-OCC**